



Bypass Valve for Water Treatment Systems

41205 (Old Model No.: F70G)

WENZHOU RUNXIN MANUFACTURING MACHINE CO.,LTD

ADD: NO.169, RUNXIN ROAD, SHANFU TOWN, WENZHOU, ZHEJIANG, CHINA.

TEL.:0086-577-88630038, 88576512, 85956057 FAX:0086-577-88633258

E-MAIL: sales@run-xin.com <http://www.run-xin.com>

Rev.A.1808

User Manual

Please read this manual in details
before using the valve and keep it properly
in order to consult in the future

OWRX.466.639

Catalogue

Notice.....	1
1.Product Overview.....	2
1.1. Main Application & Applicability.....	2
1.2. Product Characteristics.....	2
1.3. Product Structure and Technical Parameters.....	2
1.4. Installation.....	4
2. Usage.....	5
2.1. Usage.....	5
2.2. Components and part numbers.....	6
3. Warranty Card	9

Notice

- To ensure normal operation of the valve, please consult with professional installation or repairing personnel before using it.
- If there is any of pipeline engineering and electric works, there must be finished by professional at the time of installation.
- Avoid using valve body or other connectors as support to carry the system.
- Please use this product under the water temperature between 5~50℃, water pressure 0.15~0.6MPa. Failure to use this product under such conditions voids the warranty.
- If the water pressure exceeds 0.6Mpa, a pressure reducing valve must be installed before the water inlet.
- PPR pipes, corrugated pipes, or UPVC pipes are recommended for pipe installation and aluminum-plastic pipes should be avoided.

1. Product Overview**1.1. Main Application & Applicability**

Bypass valve is mainly used for controlling inlet water bypassing in water treatment systems.

Be suitable for the valves of F63, F67, F68, F71, F79, F82, F105 and so on.

When the water softener system needs to be repaired, the bypass function can be used to supply untreated raw water to the outlet.

For residential softener system, extremely softened water is not suitable for drinking. In order to improve the hardness of the water, use the bypass valve and let part of the raw water direct outflow from the outlet, mixing raw water with softened water.

1.2. Product Characteristics**● Simple structure and reliable sealing**

F70G adopts hermetic head faces with high degree pottery and corrosion resistance for opening and closing. It combines with service, bypass and part bypass.

● Easy operation

Bypass, part bypass and service function can be achieved by rotating the handle.

● Install flow meter

F70G bypass valve can install flow meter inside, and connecting with the control valve can form a meter type valve with bypass function.

● Variety of connections

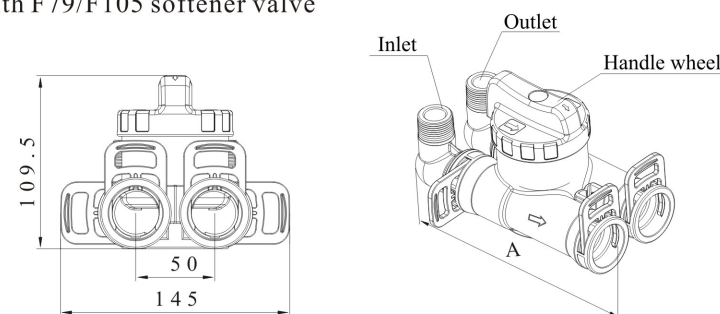
Inlet/outlet connector can be vertical or horizontal based on your need of the pipeline connection.

Inlet/outlet connector can be 3/4" or 1" optional.

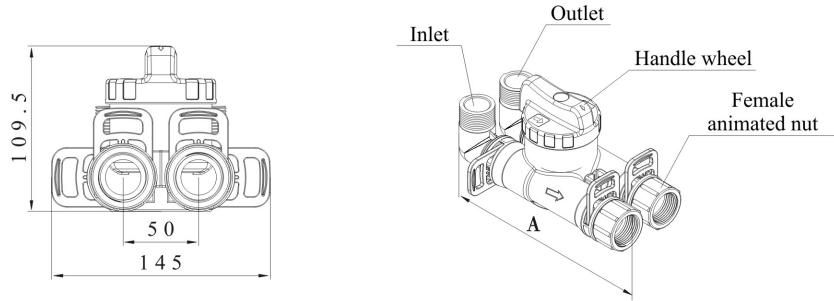
1.3. Product Structure and Technical Parameters

A. Product dimensions (The appearance is just for reference. It is subject to the real product)

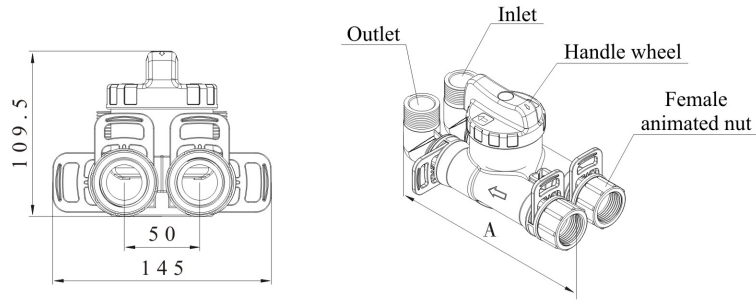
F70G with F79/F105 softener valve



F70GL with F82 softener valve



F70GL with F63、F68 softener valve



B. Technical Parameters

Suitable pressure: 0.15~0.6Mpa; Suitable temperature: 5°C ~50°C

Model	Suitable Valve	Inlet / Outlet	A (mm) max		Flow Rate m ³ /h@0.3MPa
			Vertical type	Horizontal type	
F70G/41205	F71	3/4"M	187	182	5.0
	F79				
	F105				
	F82	1"M	212	212	
	F63	1"M	212	212	
	F68				

● Note: M—Male thread

1.4. Installation

Perform installation according to relevant pipeline regulations and the specifications of Water Inlet, Water Outlet.

A. Installation steps

(Taking the F70G with valve F79BH for example, as Figure 1-1 shows):

- ① Connect the bypass valve with the valve, insert the clip.
- ② Firstly connect the elbow connectors with the pipe, insert the connector into the bypass valve, tightened by the clip.

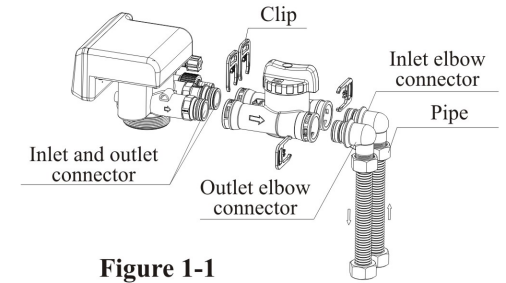


Figure 1-1

B. Installation steps

(Taking the F70GL with valve F82 for example, as Figure 1-2 shows):

- ① Put the washers into the female animated nuts, and tighten the nuts with inlet and outlet of control valve.
- ② Connect the bypass valve with the female animated nuts, insert the clips (the turbine is installed into outlet of bypass valve).
- ③ Connect the elbow connectors with the pipe, insert the connector into the bypass valve, tightened by the clips.
- ④ Insert the probe wire of flow meter into the slot which is on the outlet of the bypass valve.

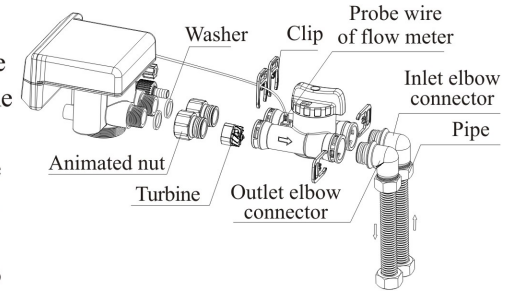


Figure 1-2

C. Installation steps

(Taking the F70GL with valve F63,F68 for example, as Figure 1-3 shows):

- ① Put the washers into the female animated nuts, and tighten the nuts with inlet and outlet of control valve.
- ② Connect the bypass valve with the female animated nuts, insert the clips (the turbine is installed into outlet of bypass valve).
- ③ Connect the elbow connectors with the pipe, insert the connector into the bypass valve, tightened by the clips.
- ④ Insert the probe wire of flow meter into the slot which is on the outlet of the bypass valve.

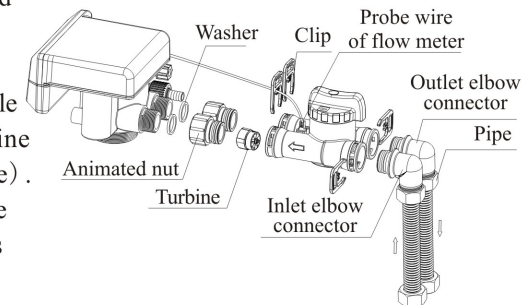
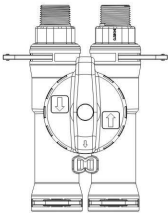
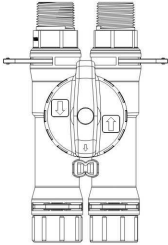
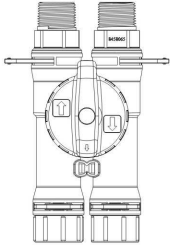
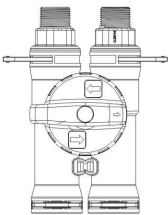
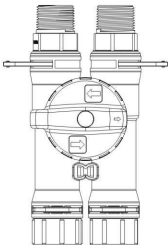
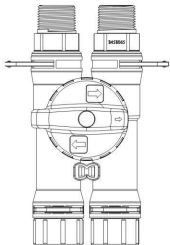
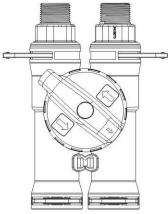
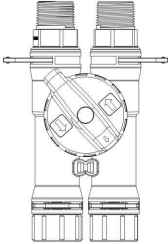
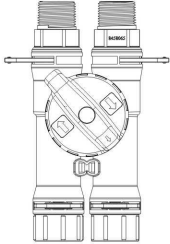


Figure 1-3

2. Usage

2.1. Usage

When the bypass valve handle is at the following position, it could achieve the required functions.

Function	F70G with F71, F79, F105	F70GL with F82	F70GLwith F63, F68
Service			
Bypass			
Part bypass			

2.2. Components and part numbers

F70G/41205 with F79, F71, F105 Components & Structure diagram

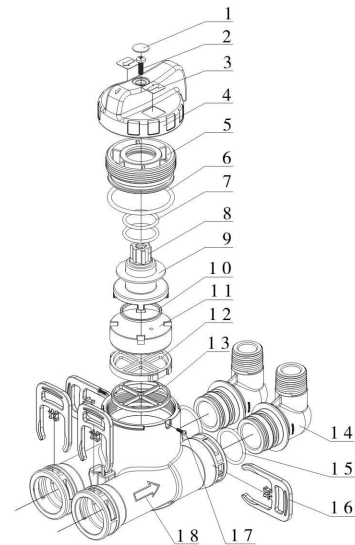


Table 1

Connector	Remarks
8457067	Vertical
8458075	Horizontal

No.	Description	Part no.	QTY	No.	Description	Part no.	QTY
1	Trademark	8860024	1	10	Moving Seal Ring	8370053	1
2	Screw, Cross ST3.9×16	8909030	1	11	Moving Disk	8459083	1
3	Sticker	8869035	2	12	Fixed Disk	8469083	1
4	Handle Wheel	8253078	1	13	Seal Ring	8370116	1
5	Fitting Nut	8092007	1	14	Connector	Table 1	2
6	O-ring 50.39×3.53	8378107	1	15	O-ring 28×2.65	8378081	2
7	O-ring 25.8×2.65	8378078	2	16	Clip	8270004	4
8	Shaft	8258009	1	17	Screw, Cross ST2.2×9.5	8909005	2
9	Anti-friction Washer	8216010	1	18	Valve Body	8022240	1

F70GL/41205 with F82 Components & Structure diagram

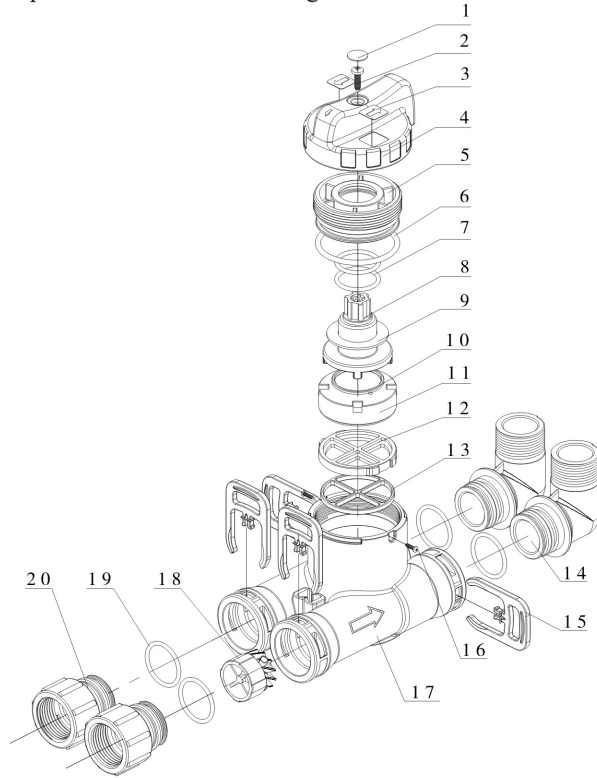


Table 1

Connector	Remarks
8457034	Vertical
8458065	Horizontal

No.	Description	Part no.	QTY	No.	Description	Part no.	QTY
1	Trademark	8860024	1	11	Moving Disk	8459083	1
2	Screw, Cross ST3.9 × 16	8909030	1	12	Fixed Disk	8469083	1
3	Sticker	8869035	2	13	Seal Ring	8370116	1
4	Handle Wheel	8253078	1	14	Connector	Table 1	2
5	Fitting Nut	8092007	1	15	Clip	8270004	4
6	O-ring 50.39 × 3.53	8378107	1	16	Screw, Cross ST2.2 × 9.5	8909005	2
7	O-ring 25.8 × 2.65	8378078	2	17	Valve Body	8022240	1
8	Shaft	8258009	1	18	Turbine	5295003	1
9	Anti-friction Washer	8216010	1	19	O-ring 28 × 2.65	8378081	4
10	Moving Seal Ring	8370053	1	20	Animated Nut	8945001	2

F70GL/41205 with F63, F68 Components & Structure diagram

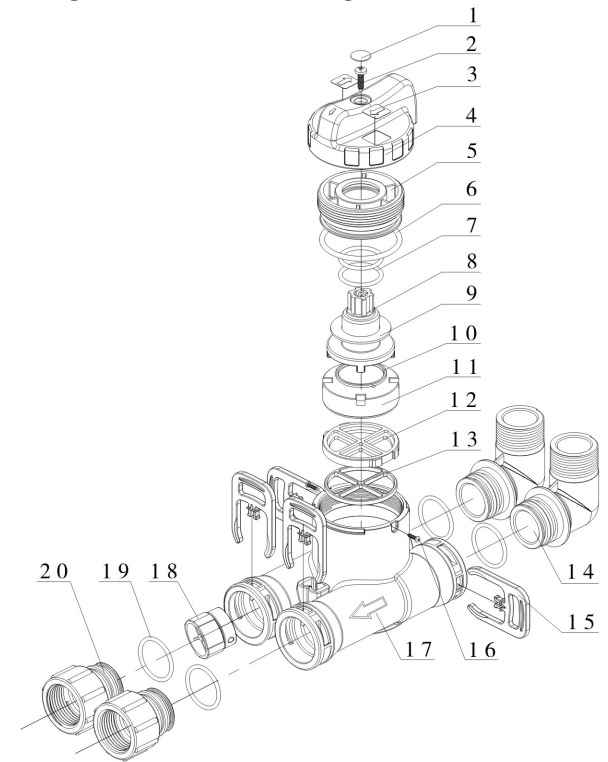


Table 1

Connector	Remarks
8457034	Vertical
8458065	Horizontal


No.	Description	Part no.	QTY	No.	Description	Part no.	QTY
1	Trademark	8860024	1	11	Moving Disk	8459083	1
2	Screw, Cross ST3.9 × 16	8909030	1	12	Fixed Disk	8469083	1
3	Sticker	8869035	2	13	Seal Ring	8370116	1
4	Handle Wheel	8253078	1	14	Connector	Table 1	2
5	Fitting Nut	8092007	1	15	Clip	8270004	4
6	O-ring 50.39 × 3.53	8378107	1	16	Screw, Cross ST2.2 × 9.5	8909005	2
7	O-ring 25.8 × 2.65	8378078	2	17	Valve Body	8022240	1
8	Shaft	8258009	1	18	Turbine	5295001	1
9	Anti-friction Washer	8216010	1	19	O-ring 28 × 2.65	8378081	4
10	Moving Seal Ring	8370053	1	20	Animated Nut	8945001	2

3. Warranty Card

Dear client:

This warranty card is the guarantee proof of RUNXIN brand bypass valve. It is kept by client self. You could get the after-sales services from the supplier which is appointed by RUNXIN manufacturer. Please keep it properly. It couldn't be retrieved if lost. It couldn't be repaired free of charge under the below conditions:

1. Guarantee period expired. (One year).
2. Damage resulting from using, maintenance, and keeping that are not in accordance with the instruction.
3. Damage resulting from repairing not by the appointed maintenance personnel.
4. Content in guarantee proof is unconfirmed with the label on the real good or be altered.
5. Damage resulting from force majeure.

Product Name	 润新 RUNXIN	Bypass Valve for Water Treatment Systems			
Model		Code of Valve Body			
Purchase Company Name		Tel/Cel.			
Problem					
Solution					
Date of Repairing		Date of Accomplishment		Maintenance Man Signature	

When product needs warranty service, please contact with your direct supplier first, after got permission, then fill in the below content and sent this card together with the product to the appointed suppliers or Runxin company.

End-user Company Name		Tel/Cel.	
Purchase Company Name		Tel/Cel.	
Model	Code of Valve Body		
Problem Description			