

# User Manual for High-efficiency Manual Backwash Disk Prefilter

0WRX.466.693

## 1. Main Application

Used for filtering municipal water treatment. Coarse filtration. Can filter PM larger than 0.05mm, for protecting the back water equipment. Suitable for installation in house.

## 2. Product Characteristics

1. Disk filter, inverted installation
2. High-efficiency backwash
3. With close function, no need to install ball valve in inlet.
4. Inlet and outlet could be rotated 360°
5. Comfortable hand feeling
6. There is a check valve in the outlet to avoid backflow.

## 3. Technical Parameters

Model	Nominal Size	Rated Water Flow m <sup>3</sup> /h	Rated Treated Water Quantity m <sup>3</sup>	Filtration Precision μm	Remark
RL-Q01	DN20	1.5	1000	50	Appearance AS

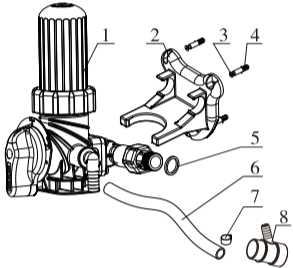
### Operating Conditions:

Working pressure: 0.1~0.6MPa  
 Environment temperature: 5~50°C;  
 Working water temperature: 5~50°C  
 Relative humidity: ≤95% (25°C)

Note: Rated treated water quantity is related to raw water quality, the more grain particles containing, the less water quantity will be.

## 4. Check the Spare Parts

When unpacking the product, please check below spare parts.

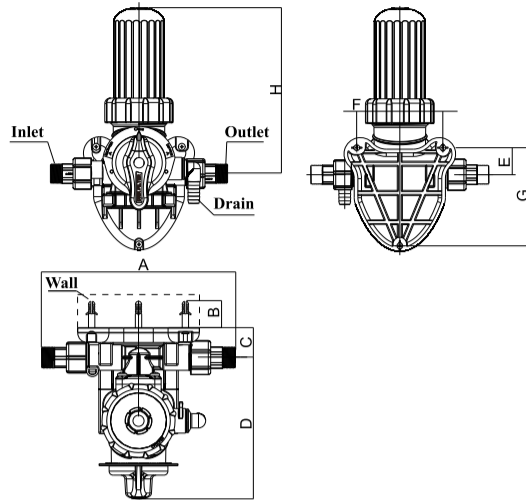


Number	Description and Specification	Quantity	Remark
1	Prefilter	1	
2	Fixed Seat	1	

-1-

3	Screw Cross ST3.9×25	3	
4	Expand Screw	3	OD φ6
5	Seal Ring	2	
6	Soft Pipeline 1.5M	1	
7	Clamp	2	
8	Connector	1	

## 5. Product Appearance and Installation Dimensions

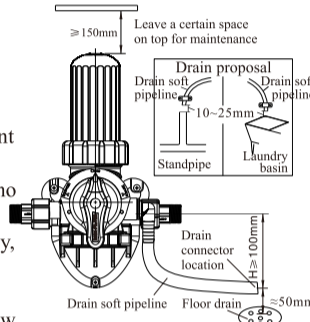


Model	Inlet/Outlet	Drain	A	B	C	D	E	F	G	H
RL-Q01	G3/4M	φ16.5	244	34	37	178	37	118	133	229

Remark: M:male thread, all dimensions above are in mm.

## 6. Installation Notes

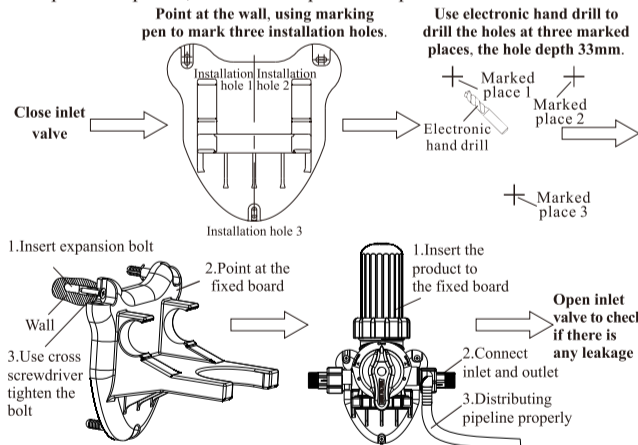
1. Installation conditions should conform to the requirements of the product work environment.
2. It should be installed after water meter, but in front of other equipment and avoid installing outdoors.
3. It should stay away from hydrops, no exposure to rain or sunlight.
4. If pipeline pressure change suddenly, please install regulator valve.
5. Please avoid subsurface pipe when drilling during the installation of screw.
6. The installation position of drain should lower than product's position.
7. If you have any questions, please feel free to contact our after-sales service or professionals.



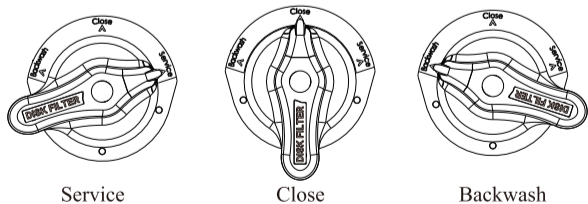
-2-

## 7. Installation Step

Before installation, be sure all these tools and materials listed below are ready: Electronic hand drill 1 piece (matching with φ6 masonry drill and tile drill, each 1 piece), cross screwdriver 1 piece, hammer 1 piece, pipeline clamp several pieces, thread seal tape several pieces.



## 8. Working Position

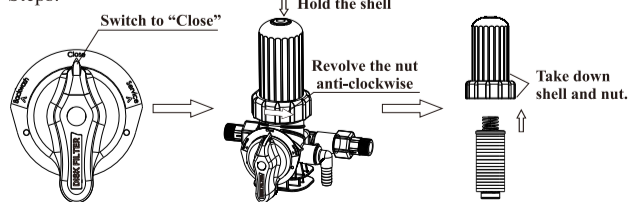


Under normal circumstances, when output water reach "Rated Treated Water Quantity" start backwash, it continues 15-20 seconds. If the water quality is poor, the backwash times can be increased properly.

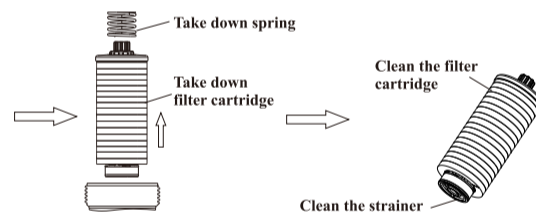
When the terminal equipment under maintenance or new equipment being added, switch to "Close", for operation more convenient and no need to control ball valve which installed in inlet.

## 9. Maintenance (suggested once a year)

Steps:

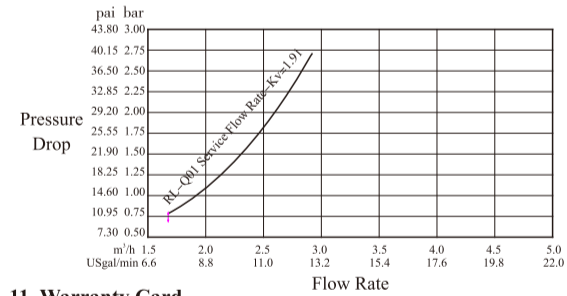


-3-



After clean, repeat above steps backward to assemble all the parts and check its seal for later use.

## 10. Pressure-Flow Rate Curve



## 11. Warranty Card

Dear client:

This warranty card is the guarantee proof of High-efficiency Automatic Backwash Disk Prefilter. It is kept by client itself, you could get the after-sales services from the supplier which is appointed by manufacturer. Please keep it properly. It couldn't be retrieved if lost. It couldn't be repaired free of charge under the below conditions:

1. Guarantee period expired. (One year).
2. Damage resulting from using, maintenance, and keeping that are not in accordance with the instruction.
3. Damage resulting from repairing not by the appointed maintenance personnel.
4. Content in guarantee proof is unconfirmed with the label on the real good or be altered.
5. Damage resulting from force majeure.

Product Name	User Manual for High-efficiency Manual Backwash Disk Prefilter		
Model		Code of valve body	
Purchase Company Name		Tel/Cel	
Problem			
Solution			
Date if Repairing	Date of Accomplishment		Maintenance Man Signature

When product need warranty service, please fill the form and send this card together with the product to the appointed suppliers.

-4-