



Multi-functional Flow Control Valve for Water Treatment Systems

51240B (F112BS)

53540B (F112B1)

53640B (F112B3)

61240B (F112AS)

63540B (F112A1)

63640B (F112A3)

User Manual

WENZHOU RUNXIN MANUFACTURING MACHINE CO.,LTD

ADD: NO.169, RUNXIN ROAD, SHANFU TOWN, WENZHOU, ZHEJIANG, CHINA.

TEL.:0086-577-88630038, 88576512, 85956057 FAX:0086-577-88633258

E-MAIL: sales@run-xin.com <http://www.run-xin.com>

Rev.A. 2403



Please read this manual in details
before using this valve and keep it properly
in order to consult in the future
0WRX.466.612

Before the valve put into use, please fill in the below content so as to help us to refer in the future.

The Program Type Setting (Operation by professional)

When all symbols light on, press and hold “←” and “→” buttons for 5 seconds to enter the menu of valve model selection. **Please set the program type in accordance with the product type.**

Softener System Configuration

Tank Size: Dia. _____mm, Height _____mm;
 Resin Volume _____L; Brine Tank Capacity _____L;
 Hardness of Raw Water _____mmol/L;
 Pressure of Inlet Water _____MPa;
 Control Valve Model _____; Number _____;
 The Specification of Drain Line Flow Control _____;
 Injector No. _____.
 Water Source: Ground-water Filtered Ground-water Tap Water Other _____.

Parameter Set

| Parameter | Unit | Factory Default | Actual Value |
|--|----------------|-----------------|--------------|
| Time of Day | h.:m. | Random | |
| Control Mode A-01/02 (63640B/53640B) | / | A-01 | |
| Water Treatment Capacity (63640B/53640B) | m ³ | 400.00 | |
| Service Days (63540B/53540B) | D. | 03 | |
| Regeneration Time | / | 02:00 | |
| Backwash Time | min.:sec. | 10:00 | |
| Brine Draw Time (63540B/63640B) | min.:sec. | 60:00 | |
| Slow Rinse Time (63540B/63640B) | min.:sec. | 45:00 | |
| Brine Refill Time (63540B/63640B) | min.:sec. | 05:00 | |
| Fast Rinse Time | min.:sec. | 10:00 | |
| Maximum Interval Regeneration Days (63640B/53640B) | D. | 30 | |
| Output Mode b-01 (02) | / | b-01 | |
| K Value (Only for Meter Type) | / | 4.194 | |

● If there is no special requirement when product purchase, we choose 4# drain line flow control (with six pieces of φ8 holes) and 4# injector (7804) for the standard configuration for 63540B and 63640B and 61240B.

Catalogue

Notice.....3

1.Product Overview.....4

1.1.Main Application & Applicability.....4

1.2.Product Characteristics.....4

1.3.Service Condition.....6

1.4.Product Structure and Technical Parameters.....7

1.5. Installation.....9

2.Basic Setting & Usage..... 16

2.1.The Function of PC Board..... 16

2.2.Basic Setting & Usage..... 17

2.3. Usage of Manual Wheel.....19

2.4. Meanings of Figures on Decorative Cover.....20

3.Applications..... 21

3.1.Flow Chart..... 21

3.2.The Function and Connection of PC Board..... 22

A. Signal Output Connector..... 23

B. Interlock..... 27

C. Pressure Relief Output..... 27

D. Remote Handling Connector.....28

E. Interlock System.....28

F. Series System..... 28

3.3.System Configuration and Flow Rate Curve..... 29

3.4.Parameter Settlement..... 30

3.5.Parameter Enquiry and Setting..... 32

3.6.Trial Running..... 35

3.7.Trouble-Shooting..... 37

3.8.Assembly & Parts..... 40

4.Warranty Card..... 50

Notice

- To ensure normal operation of the valve, please consult with professional installation or repairing personnel before use it.
- If there are any of pipeline engineering and electric works, there must be finished by professional at the time of installation.
- Do not use the control valve with the water that is unsafe or unknown quality.
- Depending on the changing of working environment and water requirement, each parameter of softener should be adjusted accordingly.
- When the water treatment capacity is too low, please check the resin. If the reason is shortage of resin, please add; if the resin is turn to reddish brown or broken, please replace.
- Test water periodically to verify that system is performing satisfactorily.
- Ensure that there is solid salt all the time in the brine tank in the course of using, when this valve is used for softening. The brine tank should be added the crystalline coarse salt only, at least 99.5% pure, forbidding use the small salt.
- Do not put the valve near the hot resource, high humidity, corrosive, intense magnetic field or intense vibrations environment. And do not leave it outside.
- Forbidden to carry the injector body. Avoid to use injector body as support to carry the system.
- Forbidden to use the brine tube or other connectors as support to carry the system.
- Please use this product under the water temperature between 5~50℃, water pressure 0.2~0.6MPa. Failure to use this product under such conditions voids the warranty.
- If the water pressure exceeds 0.6Mpa, a pressure reducing valve must be installed in front of the water inlet. While, if the water pressure is under 0.2MPa, a diaphragm pump must be installed in front of the water inlet.
- It is suggested to install PPR pipe, corrugated pipe or UPVC pipe, instead of TTLSG pipe. Pipeline should be installed straightly.
- Do not let children touch or play, because careless operation may cause the procedure changed.
- When the attached cables or transformer of this product are broken, they must be changed to the one that is from our factory.
- At the end of the product lifetime, parts and components of the product are sorted and properly disposed in accordance with local laws and regulations.

1. Product Overview

1. Product Overview

1.1. Main Application & Applicability

Used for softening, demineralization or filtration water treatment systems

51240B/53540B/53640B (Filter)

Suit for swimming pool filter equipment

Filtration system

Active carbon and sand filter in RO pretreatment system

61240B/63540B/63640B (Down-flow regeneration softener)

Suit for the ion exchange equipment which hardness of the raw water ≤ 6.5 mmol/L

Boiler softening water system

RO pretreatment softening system

1.2. Product Characteristics

● Simple structure and reliable sealing

The distribution valve adopts hermetic head faces with high degree pottery and corrosion resistance for opening and closing. It combines with Service, Backwash, Brine Draw, Slow Rinse, Fast Rinse and Brine Refill.

● No water passes the valve during regeneration in single tank type.

● Brine refill is controlled by electric ball valve.

Brine refill is controlled by electric ball valve, refilled when in service, shorten the regeneration time.

Brine refill while in service status, so for fixed bed, the water for brine refill is hard water.

● Fixed bed regeneration softener could be converted to filter valve.

Blocking the brine line connector of 61240B/63540B/63640B, removing the drain connector, the valve could be converted to filter system.

● Manual function

Realize regeneration immediately by pressing “” at any time.

● Long outage indicator

If outage overrides 3 days, the time of day indicator “12:12” will flash to remind people to reset new time of day. The other parameters do not need to be reset. The process will continue to work after powering on.

● LED dynamic screen display

The stripe on dynamic screen flashes, which indicates the control valve is in service, otherwise, it is in regeneration cycle.

●Buttons lock

No operations to buttons on the controller within 1 minute, button lock indicator lights on which represents buttons are locked. Before operation, press and hold the “▲” and “▼” buttons for 5 seconds to unlock. This function can avoid incorrect operation.

●It can choose time clock type or meter type by program selection

When all symbols light on, press and hold “☰” and “☷” buttons more than 2 seconds to enter the menu of valve model selection. Press “▼” or “▲” buttons to select the requested model, then press “☑” button to save the selection. Reconnect the power, the model will be showed on display screen.

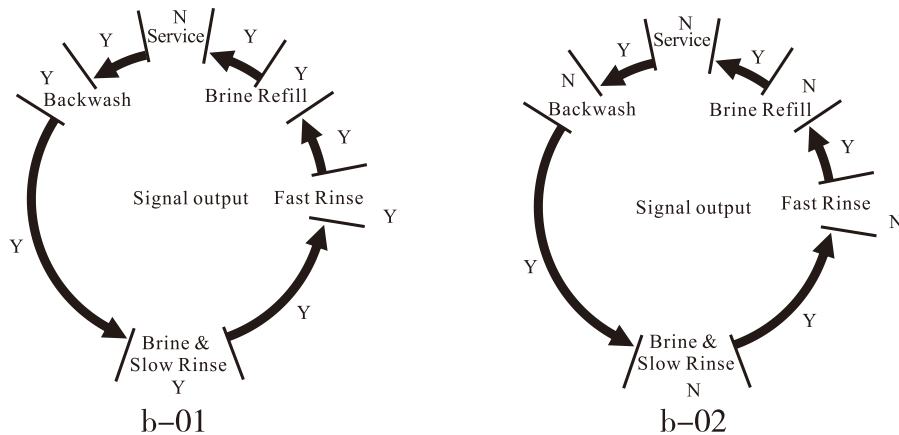
●Interlock function

It has a function of interlock to realize only one valve in regeneration but the other valves are in service while several valves parallel in system. In multi-steps treatment systems such as RO pre-treatment, when several valves are in series, there is only one valve in regeneration or washing to ensure pass water all the times while different valves in regeneration or washing.(Application refers to Figure 3-9)

●Signal output

There is a signal output connector on main control board. It is applied for controlling external wiring (Refer to figures from Figure3-1 to Figure 3-8).

There are two kinds of output modes: b-01 Mode: Turn on when start regeneration and shut off at the end of regeneration; b-02 Mode: Signal is available only at intervals of each status. Refer to below figure:



● Remote handling connector

This connector can receive external signal, used together with PLC, and computer etc. to control the valve remotely. (Application refers to Figure3-11)

●Pressure relief connector

The valve will cut off feeding water to drain line when it switches in regeneration cycles (Same as signal output b-02). Thus in some water treatment system, e.g. deep well, one diaphragm booster pump was installed on the inlet to increase the system water feeding pressure, this cut-off will cause pressure on inlet rising too fast to damage the valve. Pressure relief output can be used to avoid this problem. (Application refers to Figure3-10)

●All parameters can be modified

According to the water quality and usage, the parameters in the process can be adjusted.

●Two meter types for optional (Suit for 63640B/53640B)

| Model | Name | Instruction |
|-------|-----------------|---|
| A-01 | Meter Delayed | Regenerate on the day although the available volume of treated water drops to zero (0). Regeneration starts at the regeneration time. |
| A-02 | Meter Immediate | Regenerate immediately when the available volume of treated water drops to zero(0). |

●Maximum interval regeneration days (Suit for 53640B/63640B)

Under the situation of service reaching the setting days and the volume not yet, it could enter into regeneration process forcibly when current time is the same as regeneration time.

1.3.Service Condition

This valve should be used under the below condition

| Items | | Requirement |
|---------------------|-------------------------|---|
| Working conditions | Water pressure | 0.2MPa ~ 0.6MPa |
| | Water temperature | 5℃ ~ 50℃ |
| Working environment | Environment temperature | 5℃ ~ 50℃ |
| | Relative humidity | ≤95% (25℃) |
| | Electrical facility | AC100 ~ 240V/50 ~ 60Hz |
| Inlet water quality | Water turbidity | Down-flow regeneration (61240B/63540B/63640B) < 5FTU Filter (51240B/53540B/53640B) < 20FTU |
| | Water hardness | First Grade Na ⁺ < 6.5mmol/L; Second Grade Na ⁺ < 10mmol/L |
| | Free chlorine | < 0.1mg/L |
| | Iron ²⁺ | < 0.3mg/L |
| | CODMn | < 2mg/L (O ₂) |

B. Technical parameter

The suitable transformer output of control valve: DC24V, 4.0A

| Model | Connector Size | | | | | Flow Rate m ³ /h @0.2MPa | Regeneration Mode | Remark |
|--------|------------------|-------|----------------------------|---------------------------|----------------------------------|---|----------------------|---------------------------|
| | Inlet/ Outlet | Drain | Brine Line Connector | Regeneration Connector | Top and Bottom Strainer | | | |
| 51240B | DN65 | DN65 | / | / | DN80 | Refer to flow rate curve on P30 | Manual | Filter |
| 53540B | | | | | | | By days | |
| 53640B | | | | | | | By meter | |
| 61240B | DN65 | DN65 | 3/4" M | / | DN80 | 40 | Manual | Down-flow regeneration |
| 63540B | | | | | | | By days | |
| 63640B | | | | | | | By meter | |

Note: M-Male F-Female

DN65—UPVC pipe with outer diameter φ75.

DN80—UPVC pipe with outer diameter φ90.

1.5. Installation

A. Installation notice

Before installation, read all those instructions completely. Then obtain all materials and tools needed for installation.

The installation of product, pipes and circuits, should be accomplished by professional to ensure the product can operate normally.

Perform installation according to the relative pipeline regulations and the specification of Water Inlet, Water Outlet, Drain, and Brine Line Connector.

B. Device location

- ① The filter or softener should be located close to drain.
- ② Ensure the unit is installed in enough space for operating and maintenance.
- ③ Brine tank need to be close to softener.
- ④ The unit should be kept away from the heater, and not be exposed outdoor. Sunshine or rain will cause the system damage.
- ⑤ Please avoid installing the system in one acid/alkaline, magnetic or strong vibration circumstance, because above factors will cause the system disorder.
- ⑥ Do not install the filter or softener, drain pipeline in circumstance which temperature may drop below 5°C, or above 50°C.
- ⑦ Install the system in the place where with minimum loss in case of water leaking.

C. Support installation

Take out 8 pieces of support and door mats, and install them according to the Figure 1-1. (The parts description please refers to "5040009 support structure" on page 49.)

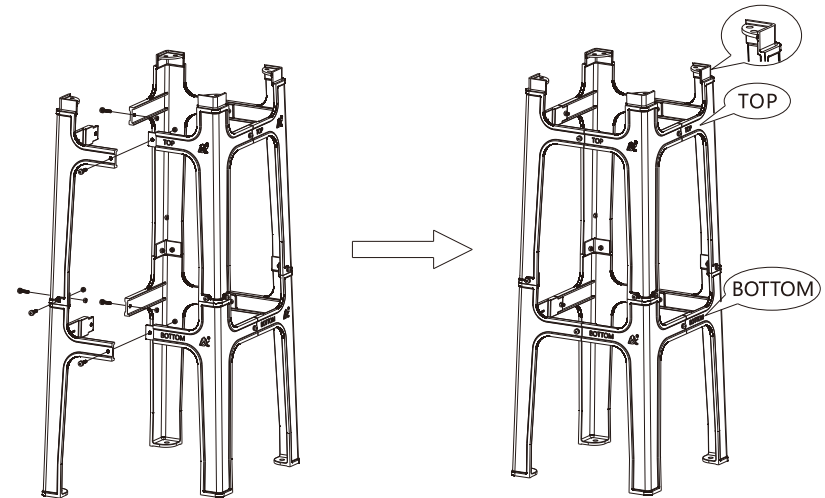


Figure 1-1

D. Pipeline installation, take 63640B (F112A3) as example

① Install control valve

- a. As the Figure 1-2 shows, insert the riser pipe to the bottom strainer and put it into the bottom of the tank.
- b. Fill the resin to the tank, and the height is accordance with the design code. Assemble the top strainer.
- c. Connect the control valve and support with screw.
- d. Choose the suitable position to install the valve. Using DN80 (Outer diameter is φ90) UPVC pipe to connect top and bottom strainer connectors with tank's top and bottom strainers.



Figure 1-2

Notice:

- Avoid filling floccules substance together with resin to the mineral tank.
- Pipeline installation should be straight, and shall not make control valves or the fittings under torsion.

② Install flow meter and the inlet/outlet pipeline.

a. Install flow meter

Safety notice:

- Before installation, make sure there is no pressure in pipeline and check if pressure released completely.
- Before installation, make sure the tested liquid won't make corrosion for the probe. (The testing subject of the probe is water)
- Before installation, make sure the temperature and pressure is comply with the probe's requirement. (The temperature of the liquid: 5~50°C Testing pressure: $\leq 0.6\text{MPa}$)
- Before installation, make sure the flow rate of the liquid won't exceed the probe's limit range. (Testing range: 1~5m/s).
- Before installation, don't change the probe's shape structure and testing way.
- Probe wiring couldn't connect with the transformer which has strong electric or voltage bigger than 12V. Otherwise, it will burn the electric board.

Probe test position choosing:

- The measure distance of tangential path behind flange should comply with 10 times front and 5 times back of pipeline diameter.
- The measure distance of tangential path behind reducer (Only allow turn big to small, but not in reverse) should comply with 15 times front and 5 times back of pipeline diameter.
- The measure distance of tangential path behind first class equal elbow should comply with 20 times front and 5 back of pipeline diameter.
- The measure distance of tangential path behind coplanar second class continuous equal elbow should comply with 25 times front and 5 times back of pipeline diameter.
- The measure distance of tangential path behind non-coplanar second class continuous equal elbow should comply with 40 times front and 5 times back of pipeline diameter.
- The measure distance of tangential path behind valve should comply with 50 times front and 5 times back of pipe diameter.
- Suggest that install probe perpendicularly by pipeline, shouldn't be installed in the bottom of pipeline.
- Probe can be installed in perpendicular pipeline which is upward flow direction, but also shall meet the above line requirement.
- Probe can not be installed in perpendicular pipeline which is downward flow direction.
- The water in tested pipeline should be full. Make sure no air in the pipeline.

Repair and maintenance of flow meter:

- Before the installation of probe, make sure impeller rotates freely and there is no obvious block phenomenon.
- When the flow meter stops measuring but the tested liquid still flowing, the working mode of probe can be checked online. Screw the probe nut A out, and check the working condition of the diode on the back of probe. If the diode always lights on or off, it indicates the impeller in pipeline stop rotating. It shall stop pipeline working, release pressure in pipeline, and disassemble the probe to check if there is any foreign matter impact impeller rotating. After cleaning, if it can rotate normally by manually, and the diode works normally, it can continue to use after confirming the installation correct. (As Figure 1-3)
- If the impeller of probe is broken, the top bracket of probe is damaged, bearing is bent, the impeller still is unable to rotate freely, or the part in contact with liquid is corroded, or the installation screw thread is seriously damaged, it shall replace a new probe.
- If the diode on the back of probe works normally, but the display board shows

incorrect, please check if the probe wire has any damage and use a multi-meter to check the voltage between shielding and black wire if normally. If the diode lights on, there is no voltage output; and if the diode lights off, there is voltage output.
E. The impeller may not rotate smoothly due to the stains in the liquid, which may affect the precision of probe. Therefore, it is necessary to check and clean the impeller of probe periodically.

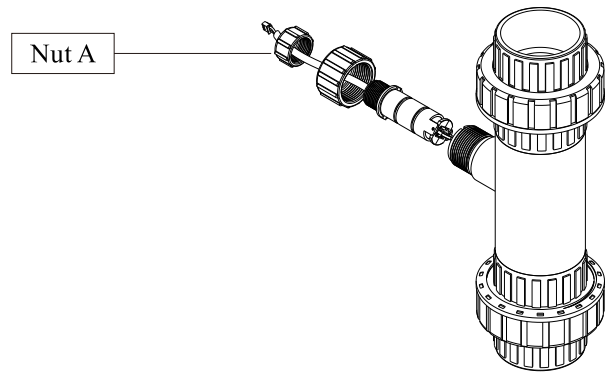


Figure 1-3

- b. As Figure 1-2 shows, install a disk filter on the inlet of the filter.
- c. Install valve A, valve B and valve C on the inlet, outlet and the middle of the pipeline of inlet and outlet.
- d. Glue the inlet of the system with the inlet of the valve with DN65 UPVC pipeline (The outer diameter is $\phi 75$); Glue the flow meter with outlet of the valve with DN65 UPVC pipeline (The outer diameter is $\phi 75$); Glue the outlet of the system with flow meter with DN65 UPVC pipeline (The outer diameter is $\phi 75$).
- e. Disassemble the front cover of the valve, and connect the flow meter to the flow meter connector of the main control board. (Refer P22 main control board figure)

Notice:

- If making a soldered copper installation, do all sweat soldering before connecting pipes to the valve. The temperature generated during soldering may damage plastic parts.
- When turning threaded pipe fittings onto plastic fitting, use care not to cross thread or broken valve.
- Inlet pipeline should be in parallel with outlet pipeline. Support inlet and outlet pipeline with fixed holder.
- If the valve is time clock type, there is no flow meter installation step.
- This flow meter error range $\leq 5\%$.

③ Install drain pipeline (If no special request, the injector is 7804)

- a. According to P29, for 63540B and 63640B, if the diameter of the tank is 1500mm, please do as step e; if the diameter of the tank is 1200mm, please do as following steps:
- b. According to P30, match the drain line flow control based on the number and size of the hole.
- c. As Figure 1-4 shows, unscrew the drain connector with a wrench, take out the drain line flow control, and replace it with the one meets the requirements. (Please drill holes according to P30)

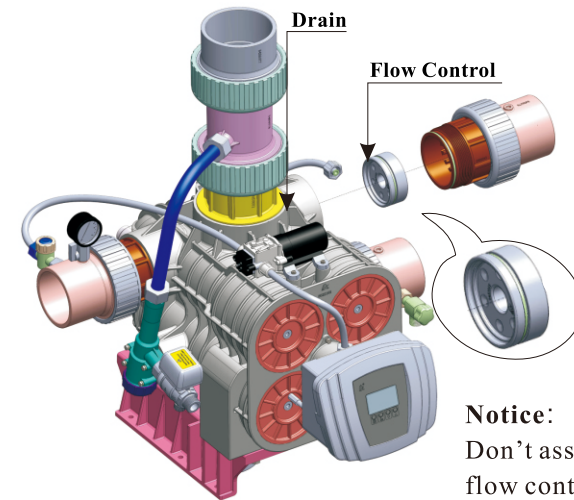


Figure 1-4

- d. Tighten the drain connector with the drain of the valve.
- e. Glue DN65 (Outer diameter is $\phi 75$) UPVC pipeline with the drain, drain pipeline should directly connect to the sewer, the sewer and the drain pipeline should installed as Figure 1-5.

- f. For 51240B (F112BS), 53540B (F112B1) and 53640B (F112B3) filter valve, there is no drain line flow control, please do as step e.

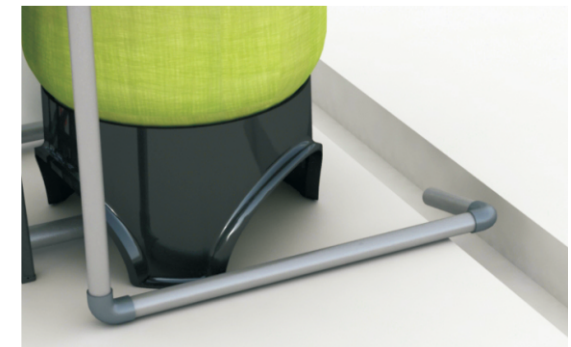


Figure 1-5

Notice:

- Leave a certain space between the drain pipe and the sewer to prevent the sewage from siphoning into the water treatment equipment.
- The drain pipeline shouldn't be too long, and the drain shouldn't be higher than the valve. For softener, drain pipeline should not exceed 5m; for filter, it should not exceed 2m. If the drain pipeline is longer or higher than the requirement, please disassemble the connector between distribution valve and drain and let the drain of distribution valve connect with the air. Use G1/2 female screw to block the G1/2 male of drain. Please refer the Figure 1-6.

④ Connect brine tube

a. As Figure 1-2 shows, use DN20 UPVC pipeline and other pipeline to connect the brine valve and the brine line connector of the valve.

Notice:

- The brine pipeline should be as shorter as possible, and smooth. There are less four elbows in the pipeline, or it will make the brine sucking unsmooth.
- It must install brine valve in the brine tank.

Notice:

When installing the pipeline, please ensure that the inlet, outlet and drain pipes are parallel, and must be fixed with "fixing frame". The distance from the inlet, outlet and drain port shall not exceed 300mm.

A number of examples prove that "fixed frame" can prevent the control valve from continuously vibrating during operation and causing the pipeline to rupture and leak and other adverse effects!

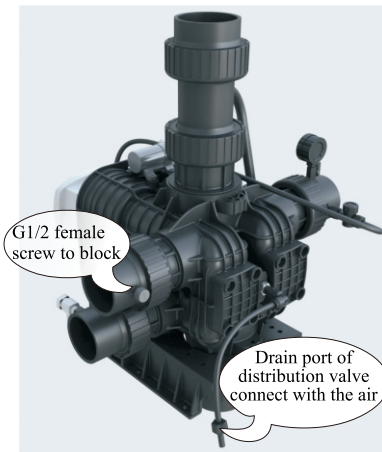
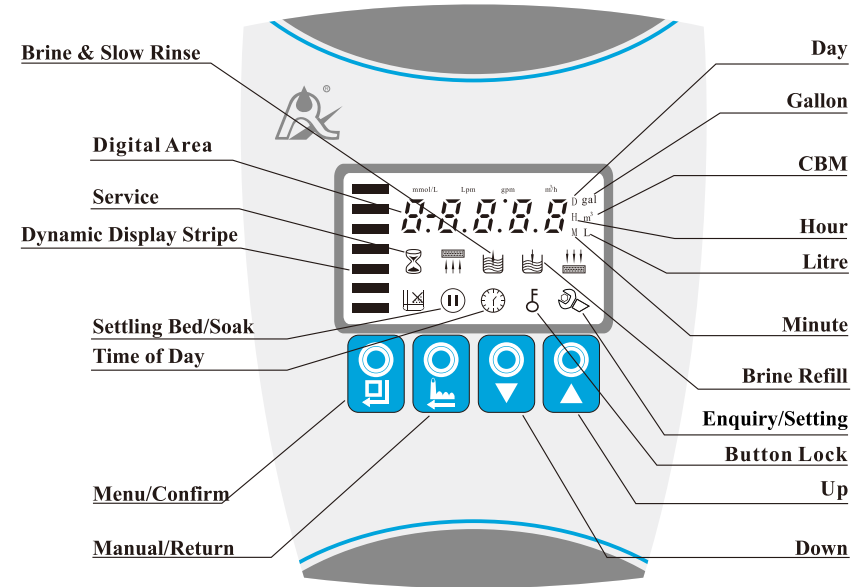


Figure 1-6




2. Basic Setting & Usage



2.1. The Function of PC Board




- A. “⌚” Time of Day indicator
 “⌚” Lights on, indicate the time of day.
- B. “🔒” Button lock indicator
 ● “🔒” Lights on, indicate the buttons are locked. At this moment, press any single button will not work (No operation in one minute, “🔒” will lights on and lock the buttons.)
 ● Solution: Press and hold both “▲” and “▼” for 5 seconds until the “🔒” lights off.
- C. “🔄” Program mode indicator
 ● “🔄” Lights on, enter program display mode. Press “▲” or “▼” to view all values.
 ● “🔄” Flashes, enter program set mode. Press “▲” or “▼” to adjust values.
- D. “☑️” Menu/Confirm button
 ● Press “☑️”, “🔄” lights on, enter program display mode and press “▲” or “▼” to view all values.
 ● In program display mode, press “☑️”, “🔄” flashes, enter program set mode, press “▲” or “▼” to adjust values.
 ● Press “☑️” after all program are set, and then the voice “Di” means all settings are success and return program display mode.



E. “” Manual/Return button


● Press “” in any status, it can proceed to next step. (Example: if the outlet water is unqualified, press “” in Service status, it will start regeneration cycles instantly; Press “” while it is in Backwash status, it will end backwash and go to Brine Draw at once.)

● Press “” in program display mode, and it will return to Service status; Press “” in program set mode, and it will return program display mode.

● Press “” while adjusting the value, then it will return program display mode directly without saving value.

F. Down “” and Up “”








● In program display mode, press “” or “” to view all values.

● In program set mode, press “” or “” to adjust values.

● Press and hold both “” and “” for 5 seconds to unlock the buttons..

2.2. Basic Setting & Usage

A. Parameter specification (Take 63640B/63540B as example)

| Function | Indicator | Factory Default | Parameter Set Range | Instruction |
|--------------------------|---|-----------------|---------------------|--|
| Time of Day |  | Random | 00:00 ~ 23:59 | Set the time of day when use; “:” flashes. |
| Control Mode | A-01 | A-01 | A-01 | Meter Delayed: Regenerate on the day although the available volume of treated water drops to zero (0). Regeneration starts at the regeneration time. |
| | | | A-02 | Meter Immediate: Regenerate immediately when the available volume of treated water drops to zero(0). |
| Service Days |  | 1-03D | 0 ~ 99 Days | Only for 63540B, 53540B Time Clock |
| Regeneration Time | 02:00 | 02:00 | 00:00 ~ 23:59 | Regeneration time; “:” lights on. |
| Water Treatment Capacity |  | 400.0 | 0~9999.9 | Water treatment capacity in one circle (m ³) |
| Backwash Time |  | 10:00 | 0 ~ 99 : 59 | Backwash time(Minute:Second) |
| Brine Draw Time |  | 60:00. | 0 ~ 99 : 59 | Brine draw time (Minute:Second) |
| Slow Rinse Time | | 45:00 | 0 ~ 99 : 59 | Slow rinse time(Minute:Second) |
| Fast Rinse Time |  | 10:00 | 0 ~ 99 : 59 | Slow rinse time (Minute:Second) |
| Brine Refill Time |  | 05:00 | 0 ~ 99 : 59 | Brine refill time(Minute:Second) |

| | | | | |
|------------------------------------|------|----|----------|---|
| Maximum Interval Regeneration Days | H-30 | 30 | 0 ~ 40 | Regenerate on the day even though the available volume of treated water does not drop to zero (0). |
| Output Control Mode | b-01 | 01 | 01 or 02 | b-01: Signal will turn on during the regeneration (Refer to P5). b-02: Signal is only available at intervals of regeneration cycles and in service. (Refer to P5). |

B. Process Display(Take 63640B A-01 as example)

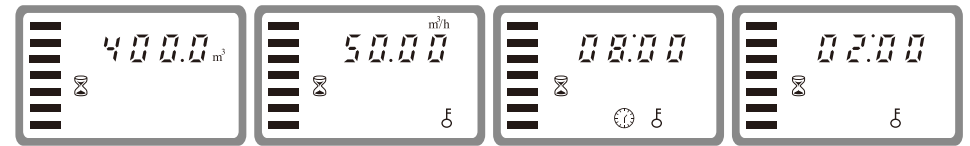


Figure A

Figure B

Figure C

Figure D

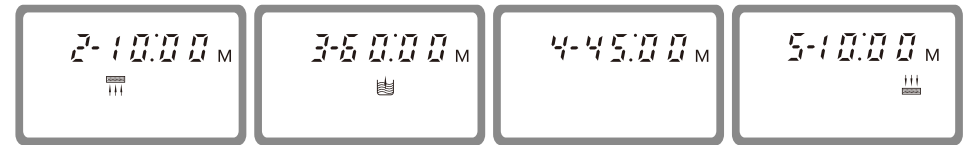


Figure E

Figure F

Figure G

Figure H

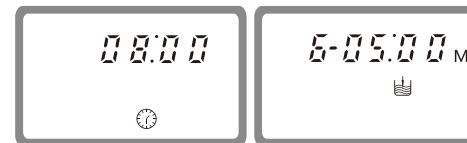


Figure I

Figure J

Illustration:

1. In Service status, the figure shows A/B/C/D; In Backwash status, it shows Figure E/I; In Brine Draw status, it shows F/I; In Slow Rinse status, it shows G/I; In Fast Rinse status, it shows Figure H/I; In Brine Refill status, it shows Figure J/I. In each status, every figure shows 15 seconds.

2. Above displays are taking 63640B for example. For the Time Clock Type, it shows the rest days, such as 1-03D.

3. The display screen will only show “-00-” when the electrical motor is running.

4. The time of day figure flashes continuously, such as “12:12” flashes, indicates long outage of power. It reminds to reset the time of day.

5. The display will show the error code, such as “-E1-” when the system is in error.

6. Working process: Service → Backwash → Brine Draw → Slow Rinse → Fast Rinse → Brine Refill → Service

C. Usage

After being accomplished installation, parameter setting and trial running, the valve could be put into use. In order to ensure the quality of outlet water can reach the requirement, the user should complete the below works:

- ① Ensure that there is solid salt all the time in the brine tank in the course of using when this valve is used for softening. The brine tank should be added crystalline coarse salt only, at least 99.5% pure, forbidding use the fine salt and iodized salt.
- ② Test the outlet water and raw water hardness at regular time. When the outlet water hardness is unqualified, please press the “⏸” and the valve will temporary regenerate again (It will not affect the original set operation cycle)
- ③ When the feed water hardness changes a lot, you can adjust the water treatment capacity as follow:

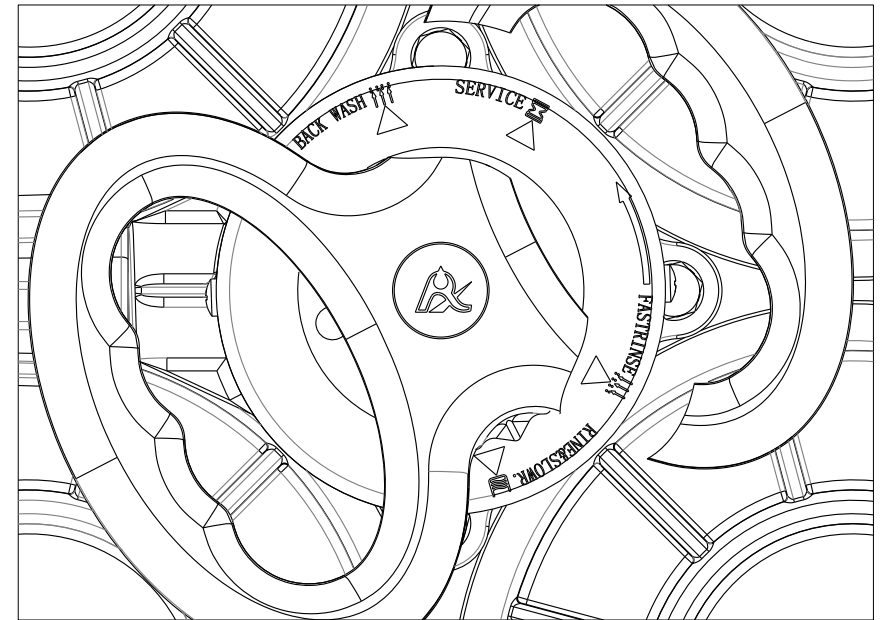
Press and hold both “▲” and “▼” for 5 seconds to unlock the buttons. Press “⏸”, and the “⌚” lights on, then press “▼”, the digital area will show control mode A-01 or A-02. Press “▼” three times to the digital area, it will show the given water treatment capacity. Press “⏸” again, “⌚” and water treatment capacity value flash, then press “▼” or “▲” to reset the value. Press “⏸” twice and hear a sound “Di”, then finish the adjustment. Press “⏸” exit and turn back the service status.

④ For A-01 control mode (Delayed regeneration type), please pay attention to whether it is current time or not. If the time is not right, you can adjust as follow: After unlock the buttons, press “⏸”, the “⌚” and “🕒” light on. Then press “⏸”, the “⌚” and hour value flash. Press “▲” or “▼” continuously to reset the hour value; Press “⏸” again, “⌚” and minute value flash. Press “▲” or “▼” continuously to reset the minute value; Press “⏸” and hear a sound “Di”, then finish the adjustment. Press “⏸” exit and turn back the service status.

The regeneration parameters have been set when control valve left factory. Generally, it does not need to reset. If you want inquire and modify the setting, you can refer to the professional application specification.

2.3. Usage of Manual Wheel

During operation of this series control valve, rotate the manual wheel to make the pointer point to the relevant position and carry out Service, Backwash, Brine & Slow Rinse and Fast Rinse as below figure.



2.4. Meanings of Figures on Decorative Cover

| English | Figures | Description |
|---------------|---------|---------------------------|
| SERVICE | | Service Status |
| BACK WASH | | Backwash Status |
| BRINE & SLOWR | | Brine & Slow Rinse Status |
| BRINE REFILL | | Brine Refill Status |
| FAST RINSE | | Fast Rinse Status |

| | | |
|---------------------------|--|--|
| Interlock connector | To ensure only one control valve regenerate or wash in system. | Use in RO Pre-treatment, water supply together but regeneration in turn. Second grade ion exchange equipment, etc. |
| Remote handling connector | Receive signal to make the control valve rotate to next status | It is used for on-line inspection system, connected with PC to realize automatically or remote controlling valve. |

A. Signal Output Connector

1). Control Outlet Solenoid Valve (Set b-01)

① Solenoid valve on outlet controls water level in brine tank.

Instruction: If system strictly requires no hard water flowing from outlet in regeneration cycle(Mainly for no hard water flows out when valve is switching or valve in backwash or brine drawing positions), a solenoid valve could be installed on outlet, the wiring refers to Figure 3-1.

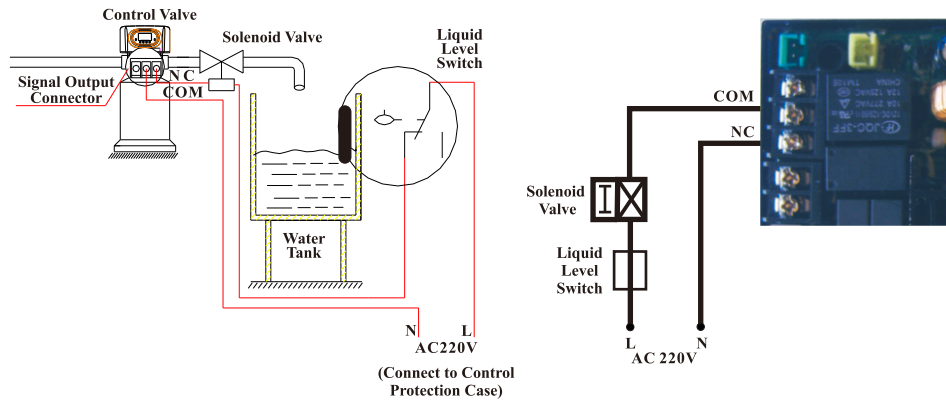


Figure3-1 Wiring of Solenoid Valve on Outlet

Function:

When valve is in service status, if soft water tank is short of water, solenoid valve will open to supply soft water, but if water tank has enough water, solenoid valve will close, so no soft water is supplied to the tank..

When the valve is in backwash status, there is no signal output. So, solenoid valve is closed, and no raw water flows into soft water tank.

② Control Inlet Solenoid Valve (Set b-02)

Instruction: When inlet pressure exceeds 0.6MPa, install a solenoid valve on inlet. Control mode is b-02. Pressure is relieved when valve switching, the wiring refer to Figure 3-2. As Figure 3-3 shows, it also can use the pressure relief port to work.

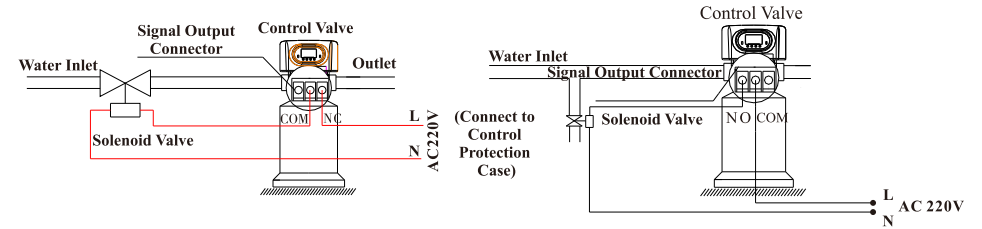


Figure 3-2 Wiring of Solenoid Valve on Inlet

Figure3-3 Wiring of Pressure Relief Connector

Function:

When inlet pressure is high, install a solenoid valve on inlet to ensure valve switches properly. The solenoid valve will open when valve is exactly at status of Service, Backwash, Brine Draw, Slow Rinse, Brine Refill and Fast Rinse. When valve is switching, solenoid valve is closed, no water flows into valve to ensure valve switching properly. It could prevent the problem of mixing water and water hammer.

Use interlock cable to realize valves in parallel and series in same system which is suited for RO pretreatment system or second grade Na⁺ system. The wiring refers to Figure 3-4:

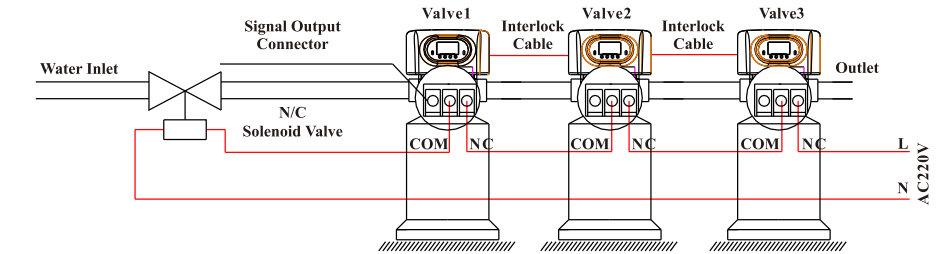


Figure 3-4 Wiring of Solenoid Valve in Inlet

2).Liquid Level Controller Controls Inlet Pump (Two-phase motor) (Set b-01)

Instruction: For the system using underground water or middle-tank supplying water, users can turn on and turn off the pump by operating the switch of liquid level controller and control valve. The wiring refers to Figure 3-5:

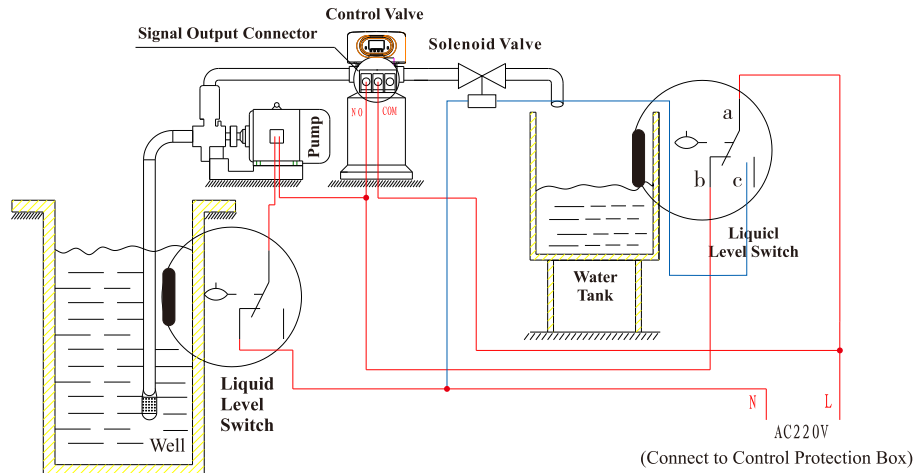


Figure 3-5 Wiring of Liquid Level Controller Controlling Inlet Pump

Function:

When valve is in service status, if water tank is short of water, pump starts working, but if water tank has enough water, the switch of liquid level controller is closed, so pump doesn't work.

When valve in regeneration cycle, inlet always has water no matter what is water condition in water tank. As Runxin valve no water pass outlet in regeneration cycle, it ensure no water fill into brine tank.

A liquid switch at the top opening of well or in middle water tank in RO system protects pump from working without water in case of out of raw water.

3). Liquid Level Switch in Water Tank Controls Inlet Pump (Three-phase, refer to Figure 3-6) (Set b-01)

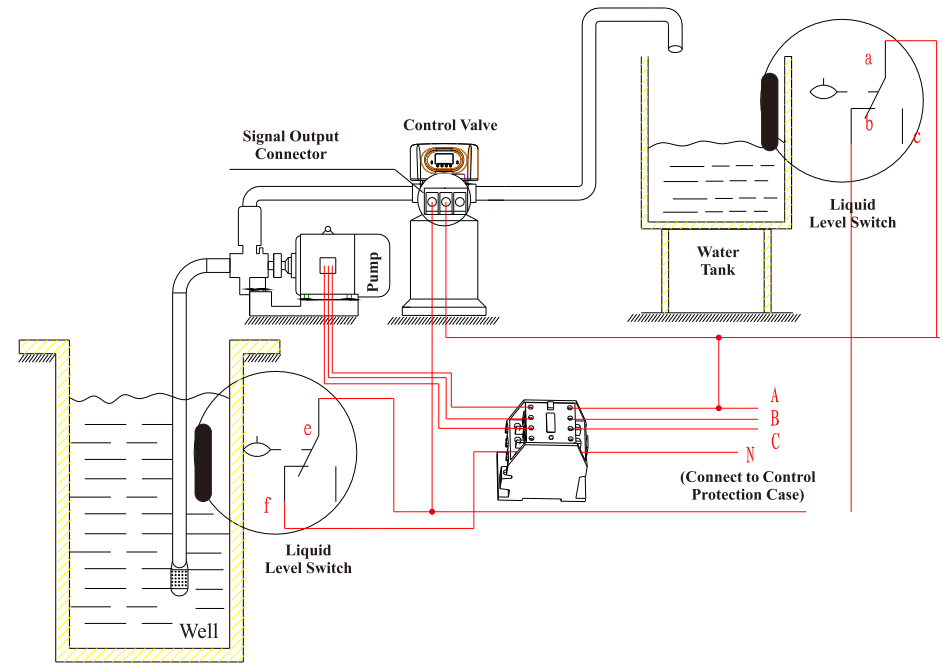


Figure 3-6 Wiring of Liquid Level Switch in Water Tank Controls Inlet Pump

4). Control Inlet Booster Pump (Set b-01 or b-02)

Instruction: If inlet water pressure is less than 0.15MPa, which makes backwash or brine drawing difficult, a booster pump is suggested to be installed on inlet. Set control mode as b-01. When system in regeneration cycle, booster pump opens, the wiring refers to Figure 3-7. If the booster pump current is bigger than 5A, system need to install a contactor, the wiring refers to Figure 3-8.

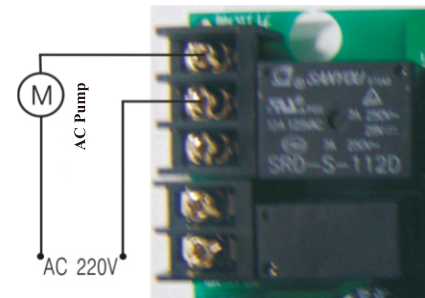


Figure 3-7 Wiring of Booster Pump on Inlet

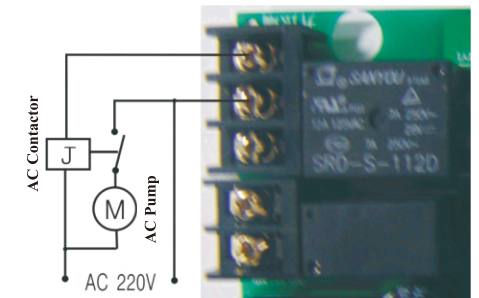


Figure 3-8 Wiring of Booster Pump on Inlet

B. Interlock

Instruction:

In the parallel water treatment system, it ensures only one valve in regeneration or washing cycle and (n-1) valves in service, that is, realizing the function of supplying water simultaneously and regenerating individually.

In the series and parallel water treatment system (Second grade Na⁺ Exchanger or RO pre-treatment system), it ensures only one valve in regeneration or washing cycle and there is water in service. Refer to Figure 3-9.

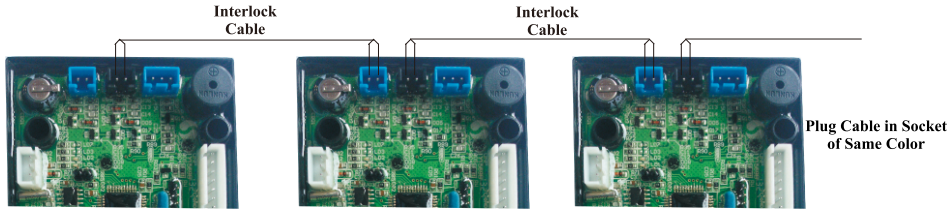


Figure 3-9 Network System Wiring with Interlock Cable

Note: Use Interlock Cable to connect CN8 to CN7 on next valve in the loop.

One system with several valves, if interlock cable is disconnected, the system is divided into two individual system.

C. Pressure Relief Output

The Runxin valve will cut off feeding water to drain line when it switches in regeneration cycles. Thus in some water treatment system, e.g. Deep Well, one booster pump was installed on the inlet to increase the system water feeding pressure, this cut-off will cause pressure on inlet rising too fast to damage the valve. Pressure Relief Output can be used to avoid this problem. The wiring refers to Figure3-10.

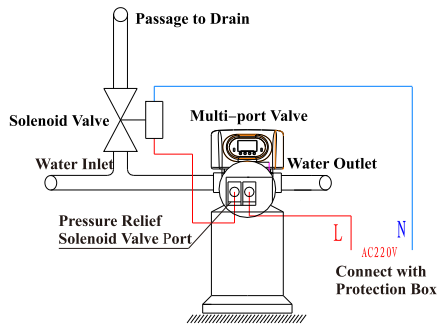


Figure 3-10 Wiring of Pressure Relief Output

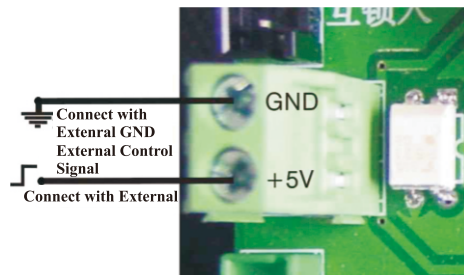


Figure 3-11 Wiring of Remote Input

D. Remote Handling Connector

When the valve is used to make pure water or other system that can be monitored online or connected to a PC, etc., when the conductivity or other parameters reach the set value or the PC sends a signal and needs system regeneration, it can be provide a signal to remote handling connector of main control board by the signal line, which can make the valve regenerate immediately. The connector receiving the signal is equivalent to pressing the manual button. The wiring refers to Figure 3-11.

E. Interlock system

At least 2 valves are interlocked connecting in one system and all valves are in service but regenerate individually. The wiring refers to Figure3-12.

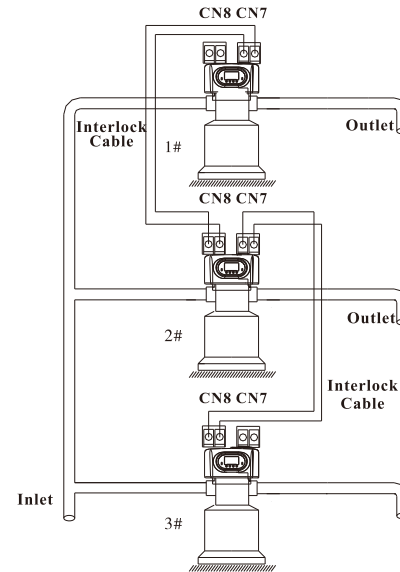


Figure 3-12 Interlock System

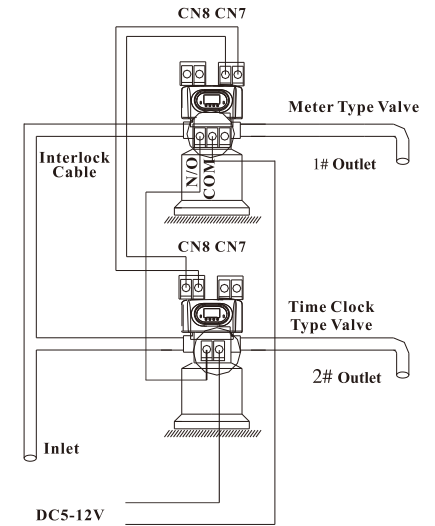


Figure 3-13 Series System

F. Series System

This is a 2 or more than 2 valves system, all in service, with one flow meter for the entire system. For the time type valve, the regeneration time should be set and adjusted to the Max; for the meter type valve, connect its signal output connector with the remote handle connector of the time-type valve. That can realize the function of supplying water simultaneously and regenerating orderly. The wiring refers to Figure 3-13.

3.3. System Configuration and Flow Rate Curve

A. Product Configuration

① 61240B/63540B/63640B Fixed bed control valve configuration with tank, resin volume, brine tank and injector.

| Tank Size (mm) | Resin Volume (L) | Flow Rate (t/h) | Brine Tank Size (mm) | The Minimum Salt Consumption for Regeneration (Kg) | Injector Model |
|----------------|------------------|-----------------|----------------------|--|----------------|
| φ 1200 × 2400 | 1500 | 28.0 | φ 1360 × 1690 | 225.00 | 7803 |
| φ 1500 × 2400 | 2500 | 44.0 | φ 1360 × 1690 | 375.00 | 7804 |

Note: The flow rate calculation is based on linear velocity 25m/h; the minimum salt consumption for regeneration calculation is based on salt consumption 150g / L (Resin).

② 51240B/53540B/53640B Filter control valve configuration with tank, filter material.

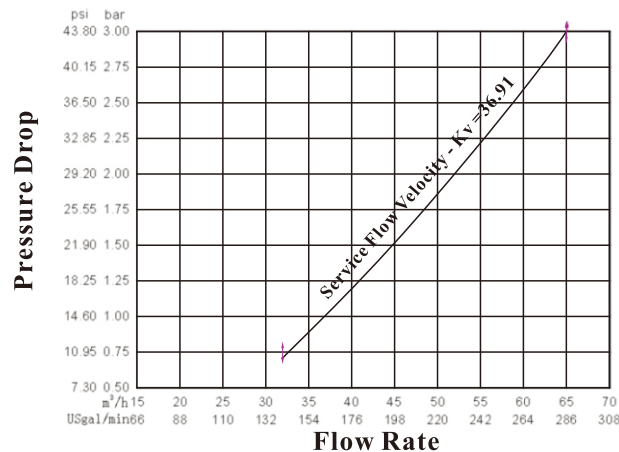
| Tank Size | Volume of Filter Material | Carbon Filter | | Sand Filter | |
|---------------|---------------------------|---------------------|--------------------|---------------------|--------------------|
| | | Filtering Flow Rate | Backwash Flow Rate | Filtering Flow Rate | Backwash Flow Rate |
| mm | L | m ³ /h | m ³ /h | m ³ /h | m ³ /h |
| φ 900 × 2400 | 900 | 7.6 | 22.9 | 15.9 | 34.3 |
| φ 1000 × 2400 | 1100 | 9.5 | 28.2 | 19.6 | 42.4 |
| φ 1200 × 2400 | 1500 | 13.5 | 40.7 | 28.2 | 61.0 |

Note: The filtering flow rate of carbon filter is calculated based on the 12m/h operation rate; the backwash flow rate is calculated based on the 10L/(m²*s) backwash intensity; the filtering flow rate of sand filter is calculated based on the 25m/h operation rate; the backwash flow rate is calculated based on the 15L/(m²*s) backwash intensity.

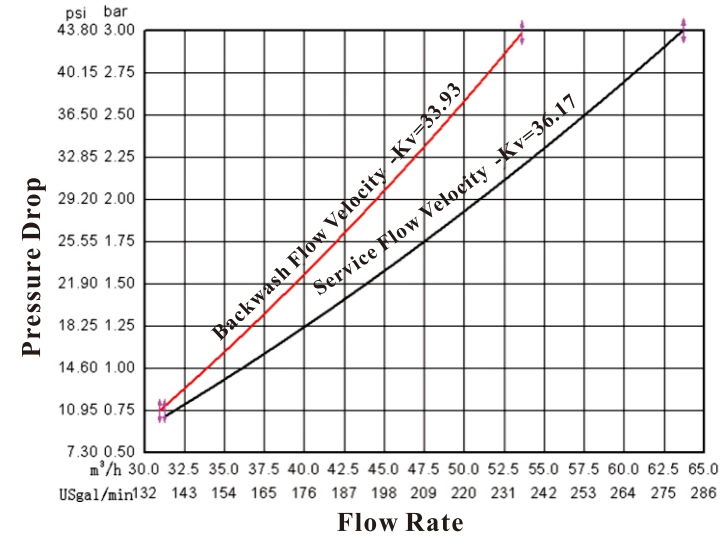
B. Flow Rate Characteristic

1) Pressure-flow rate curve

Softener Valve: 61240B/63540B/63640B



Filter Valve: 51240B/53540B/53640B



2) Configuration for standard injector and drain line flow control

Fixed bed 61240B/ 63540B/63640B

| Tank Dia. mm | Injector Model | Injector Color | Draw Rate | Slow Rinse | Brine Refill | Hole Qty on Drain Outlet | Backwash / Fast Rinse |
|--------------|----------------|----------------|-----------|------------|--------------|--------------------------|-----------------------|
| | | | L/h | L/h | L/h | | t/h |
| 1200 | 7803 | Yellow | 6800 | 4400 | 8640 | 2×φ7 | 17.32 |
| 1500 | 7804 | Blue | 8340 | 5400 | 8520 | 6×φ8 | 27.12 |

Note: ①The above data in table is tested under pressure of 0.3MPa.

②Since the differences in the quality of raw inlet water, capacity of resin, size of the tank and the pressure of inlet, the above data are only for reference.

③If the real goods are different in specification, configuration or appearance, please subject to the real goods.

④The hole is made depending on the size of matched tank practical application. The hole's numbers and size are made based on the above table.

3.4. Parameter settlement

①Service time T1

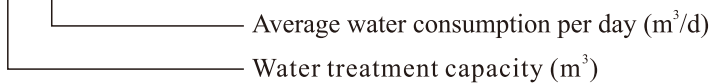
Water treatment capacity:

$$Q = V_R \times K \div Y_D (m^3)$$

- Hardness of Inlet Water (mmol/L)
- Exchange factor (mmol/L) 400~1000. Down-flow regeneration, take 400~750. If the inlet water hardness is higher, the factor is smaller.
- Resin volume (m³)

By days:

$$T1 = Q \div Q_d (\text{Day})$$



② Backwash time T2

It is subject to the turbidity of inlet water. Generally, it is suggested to be set 10~15 minutes. The higher the turbidity is, the longer backwash time can be set. However, if the turbidity is more than 5FTU, it had better to install a filter in front of the exchanger.

③ Brine & slow rinse time T3

$$T3 = (40 \sim 50) \times H_r (\text{min})$$

Generally, $T3 = 45 H_r (\text{min})$

In this formula, H_r — The height of resin in exchange tank (m)

④ Brine refill time T4

$$\text{Down-flow regeneration: } T4 = 0.45 \times V_r \div \text{Brine refill speed} (\text{min})$$

In this formula, V_r — Resin volume (m³)

The Brine refill speed is related to inlet water pressure. It is suggested to lengthen 1~2 minutes of calculated brine refilling time to make sure there is enough water in tank. (If there is a brine valve installed in the brine tank)

⑤ Fast rinse time T5

$$T5 = 12 \times H_r (\text{min.})$$

Generally, the water for fast rinse is 3~6 times of resin volume. It is suggested to be set 10~16 minutes, but it should be washed until the outlet water meets the requirements.

⑥ Exchange factor

$$\text{Exchange factor} = E / (k \times 1000)$$

In this formula, E — Resin working exchange capability (mol/m³), it is related to the quality of resin. Down-flow regeneration, take 800~900.

K — Security factor, always take 1.2~2. It is related to the hardness of inlet water: the higher the hardness is, the bigger the K is.

⑦ Regeneration time:

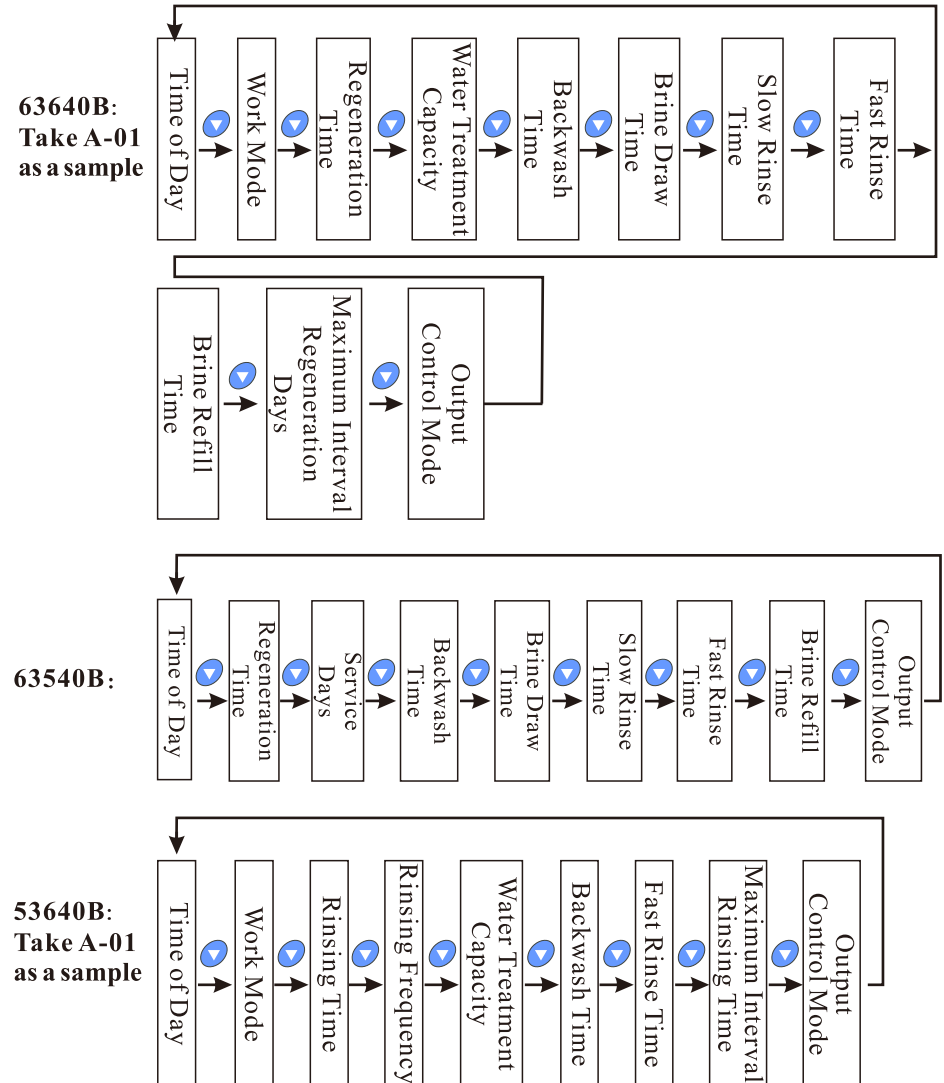
The whole cycle for regeneration is about two hours. Please try to set up the regeneration time when you don't need to use water according to the actual situation.

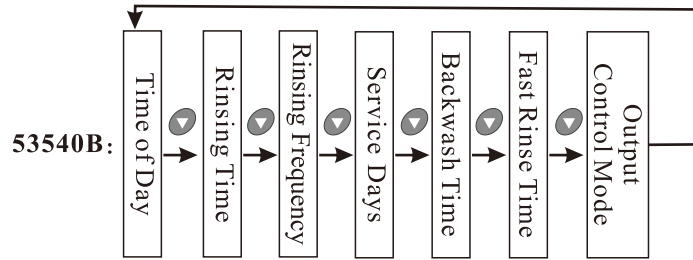
The calculation of parameters for each step is only for reference, the actual proper time will be determined after adjusting by water exchanger supplier. This calculation procedure of softener is only for industrial application; it is not suitable for small softener in residential application.

3.5. Parameter Inquiry and Setting

3.5.1. Parameter Inquiry

When “ \mathcal{F} ” lights on, press and hold both “ \blacktriangleleft ” and “ \blacktriangleright ” for 5 seconds to unlock buttons; then press “ \square ”, and “ \mathcal{R} ” lights on, enter to program display mode; press “ \blacktriangleleft ” or “ \blacktriangleright ” to view each value according to below process. (Press “ \square ” exit and turn back to service status)





3.5.2. K value setting method (It is related to flow rate factor. The K value is opposite to the flow rate factor.)

When power on, press and hold “” button and “” button for 3 seconds, enter into K value setting interface. Press “” and “” button to adjust the K value. Press “” button to go back to working interface.

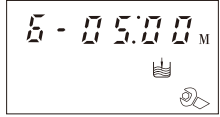
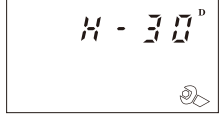
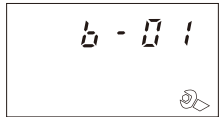
3.5.3. Parameter setting (Take 63640B A-01 as example)

In program display mode, press “” and enter into program set mode. Press “” or “” to adjust the value.

3.5.4. The Steps of Parameter Setting

| Items | Process Steps | Symbol |
|-------------------|--|--------|
| Time of Day | When time of day “12:12” continuously flashes, it reminds to reset; 1. Press to enter into program display mode; both and symbol light on, “:” flashes; Press , both and hour value flash, press or to adjust the hour value; 2. Press again, both and minute value flash, press or to adjust the minute value; 3. Press and hear a sound “Di”, then finish adjustment, press to turn back. | |
| Control Mode | 1. In control mode display status, press and enter into program set mode, and 01 value flash; 2. Press or , set the value to be A-01 or A-02 control mode; 3. Press and hear a sound “Di”, then finish adjustment, press to turn back. | |
| Regeneration Time | 1. In regeneration time display status, press and enter into program set mode. It shows 02:00. and 02 flash. Press or to adjust the hour value; 2. Press , and 00 flash, press or to adjust the minute value; 3. Press and hear a sound “Di”, then finish adjustment, press to turn back. | |

| | | |
|--------------------------|---|--|
| Water Treatment Capacity | 1. In water treatment capacity display status, it shows “” and 400.0. Press “” and enter into program set mode. “” and 400 flash; 2. Press “” or “” to adjust the water treatment capacity value(m ³); 3. Press “”, decimal value flash. Press “” or “” to adjust the decimal value; 4. Press “” and hear a sound “Di”, then finish adjustment, press “” to turn back. | |
| Backwash Time | 1. In backwash time display status, it shows and 2-10:00. Press and enter into program set mode. and 10 flash; 2. Press or to adjust the backwash minute time; 3. Press , 00 flashes. Press or to adjust the backwash second value; 4. Press and hear a sound “Di”, then finish adjustment, press to turn back. | |
| Brine Draw Time | 1. In Brine Draw Time display status, it shows and 3-60:00. Press and enter into program set mode. and 60 flash; 2. Press or to adjust the brine draw minute time; 3. Press , 00 flashes. Press or to adjust the brine draw second value; 4. Press and hear a sound “Di”, then finish adjustment, press to turn back. | |
| Slow Rinse Time | 1. In Slow Rinse Time display status, it shows 4-45:00. Press and enter into program set mode. and 45 flash; 2. Press or to adjust the slow rinse minute time; 3. Press , 00 flashes. Press or to adjust the slow rinse second value; 4. Press and finish adjustment, press to turn back. | |
| Fast Rinse Time | 1. In fast rinse time display status, it shows and 5-10:00. Press and enter into program set mode. and 10 flash; 2. Press or to adjust the fast rinse minute time; 3. Press , 00 flashes. Press or to adjust the fast rinse second value; 4. Press and hear a sound “Di”, then finish adjustment, press to turn back. | |

| | | |
|--|---|--|
| <p>Brine Refill Time</p> | <p>1. In brine refill time display status, it shows and 6-05:00, Press and enter into program set mode. and 05 flash; 2. Press or to adjust the brine refill minute time; 3. Press , 00 flashes. Press or to adjust the brine refill second value; 4. Press and hear a sound “Di”, then finish adjustment, press to turn back.</p> |  |
| <p>Maximum Interval Regeneration Days</p> | <p>1. In maximum Interval regeneration days display status, it shows H-30. Press and enter into program set mode. and 30 flash; 2. Press or to adjust the Interval regeneration days; 3. Press and hear a sound “Di”, then finish adjustment, press to turn back.</p> |  |
| <p>Signal Output Mode</p> | <p>1. In signal output mode display status, it shows b-01. Press and enter into program set mode. and 01 flash; 2. Press or to adjust the mode; 3. Press to finish adjustment, press to turn back.</p> |  |

For example, the fast rinse time of a softener is 12 minutes. After regenerating, the chloridion in the outlet water is always higher than normal, indicating that there is no enough time for fast rinse. If you want the time to set to 15 minutes, the modification steps as follows:

- ① Press and hold both and to unlock the buttons. (lights off);
- ② Press , and lights on;
- ③ Press or continuously until lights on. Then the digital area shows: 5-12:00M;
- ④ Press , and 12 flash;
- ⑤ Press continuously until 12 is changed to 15;
- ⑥ Press , there is a sound “Di” and the figure stop flashing; the program back to enquiry status;
- ⑦ If you want to adjust other parameters, you can repeat the steps from ② to ⑤; if you don't, press and quit from the enquiry status, the display will show the current service status.

3.6. Trial Running

After installing the multi-functional flow control valve on the resin tank with the connected pipes, as well as setting up the relevant parameter, please conduct the trial running as follows:

- A. Close the inlet and outlet valve B & C, and open the bypass valve A. After cleaning the foreign materials in the pipe, close the bypass valve A. (As Figure 1-2 shows)
- B. Add calculated water to the brine tank and adjust the air check valve. Then add solid salt to the tank and dissolve the salt as much as possible.
- C. Switch on power. Press and turn to the Backwash position; when lights on, slowly open the inlet valve B to 1/4 position, making the water flow into the resin tank; you can hear the sound of air-out from the drain pipeline. After all air is out of pipeline, then open inlet valve B completely and clean the foreign materials in the resin tank until the outlet water is clean. It will take 8 ~10 minutes to finish the whole process.
- D. Press , turning the position from Backwash to Brine& Slow Rinse; lights on and enter in the process of Brine& Slow Rinse. The air check valve closes when control valve finish brine draw, then slow rinse starts to work. It is about 60 minutes for whole process.
- E. Press , turn the position from Slow Rinse to Fast Rinse. lights on and start to fast rinse. It takes about 10 ~15 minutes, take out some outlet water for testing: if the water hardness reach the requirement, and the chloridion in the water is almost the same compared with the inlet water, then go to the next step.
- F. Press turning the position from Fast Rinse to Brine Refill. lights on, the valve starts brine refill (Meanwhile it is in Service status) until the brine tank is being refilled with water to the required level. It takes about 5~6 minutes, then add solid salt to the brine tank.
- G. Press , making the control valve return to Service Status; lights on and starts to running.

Note:

- When the control valve enters into the regeneration status, all programs can be finished automatically according to the setting time; if you want one of steps to be terminated early, you can press .
- If water inflows too fast, the media in tank will be damaged. When water inflows slowly, there is a sound of air emptying from drain pipeline.
- After changing resin, please empty air in the resin according to the above Step C.
- In the process of trial running, please check the water situation in all positions, and ensure there is no resin leakage.
- The time for Backwash, Brine Draw, Slow Rinse, Fast Rinse and Brine Refill position can be set and executed according to the calculation in the formula or suggestions from the control valve suppliers.

3.7. Trouble-Shooting

A. Control Valve Fault

| Problem | Cause | Correction |
|--------------------------------------|--|--|
| 1. Softener fails to regenerate. | A. Electrical service to unit has been interrupted. B. Regeneration cycles set incorrect. C. Controller is defective. D. Motor fails to work. | A. Assure permanent electrical service (Check fuse, plug, pull chain or switch). B. Reset regeneration cycles. C. Check or replace controller. D. Check or replace motor. |
| 2. Regeneration time is not correct. | A. Time of Day doesn't set correctly. B. Power failure more than 3 days, the time of day is incorrect. | Check program and reset time of day. |
| 3. Softener supply hard water. | A. Bypass valve is open or leaking. B. No salt in brine tank. C. Injector is plugged. D. Insufficient water flows into brine tank. E. Internal valve leaks. F. Incorrect regeneration time or raw water quality deterioration. G. Shortage of resin. H. Bad quality of raw water or turbine is blocked. | A. Close or repair bypass valve. B. Add salt to brine tank and maintain salt level above water level. C. Change or clean injector. D. Check brine tank refill time. E. Change valve body. F. Set correct regeneration time or water capacity treatment. G. Add resin to mineral tank and check whether resin leaks. H. Reduce the raw water turbidity or clean or replace the flow meter. |
| 4. Softener fails to draw brine. | A. Inlet line pressure is too low. B. Brine line is plugged. C. Brine line is leaking. D. Injector is plugged or broken down. E. Internal valve leaks. F. Drain line is plugged. G. Sizes of injector and DLFC are not match with tank. H. Ball valve or cable failure. | A. Increase inlet line pressure. B. Clean brine line. C. Replace brine line. D. Clean or replace new injectors. E. Replace valve body. F. Clean drain line flow control. G. Select correct injector size and DLFC according to the requirements. H. Replace ball valve or cable. |
| 5. Unit used too much salt. | A. Improper salt setting. B. Excessive water in brine tank. | A. Check salt usage and salt setting. B. See problem No.6. |
| 6. Excessive water in brine tank. | A. Overlong refilling time. B. Foreign material in brine line. C. Foreign material in brine valve and plug drain line flow control. D. Not install safety brine valve but power failure while brine drawing. E. Brine refill is out of control. F. Ball valve doesn't close completely. | A. Reset correct refilling time. B. Clean brine line. C. Clean brine valve and brine line. D. Stop water supplying and restart or install safety brine valve in salt tank. E. Repair or replace safety brine valve. F. Repair or replace ball valve. |

| | | |
|--|---|--|
| 7. Pressure lost or rust in pipeline | A. Iron in the water supply pipe. B. Iron mass in the softener. C. Fouled resin bed. D. Too much iron in the raw water. | A. Clean the water supply pipe. B. Clean valve and add resin cleaning chemical, increase frequency of regeneration. C. Check backwash, brine draw and brine tank refill. Increase frequency of regeneration and backwash time. D. Iron removal equipment is required to install before softening. |
| 8. Loss of resin through drain line. | A. Air in water system. B. Bottom strainer is broken. C. Improper sized drain line control. | A. Assure that well system has proper air eliminator control. B. Replace new strainer. C. Check for proper drain rate. |
| 9. Control cycle continuously. | A. Locating signal wiring breaks down. B. Controller is faulty. C. Foreign material stuck the driving gear. D. Time of regeneration steps were set to zero. | A. Check and connect locating signal wiring. B. Replace controller. C. Take out foreign material. D. Check program setting and reset. |
| 10. Drain flows continuously. | A. Internal valve leaks. B. Power off when valve is in backwash or fast rinse status. | A. Check and repair valve body or replace it. B. Adjust valve to service position or turn off bypass valve and restart when electricity supply. |
| 11. Interrupted or irregular brine. | A. Water pressure is too low or not stable. B. Injector is plugged or faulty. C. Air in resin tank. D. Floccules in resin tank during up-flow regeneration. E. Strainer is plugged. | A. Increase water pressure. B. Clean or replace injector. C. Check and find the reason of air intake. D. Clean the floccules in resin tank. E. Clean the broken resin from strainer. |
| 12. Water flows out from drain or brine pipe after regeneration. | A. Foreign material in valve which makes valve can't be closed completely. B. Hard water mixed in valve body. C. Water pressure is too high which results in valve doesn't get the right position. D. Ball valve is not being closed completely. | A. Clean foreign material in valve body. B. Change valve core or sealing ring. C. Reduce water pressure or use pressure relief function. D. Repair or replace the ball valve or the wire. |
| 13. Salt water in softener water | A. Foreign material in injector or injector fails to work. B. Brine valve cannot be shut-off. C. Time of fast rinse is too short. | A. Clean and repair injector. B. Repair brine valve and clean it. C. Extend fast rinse time. |

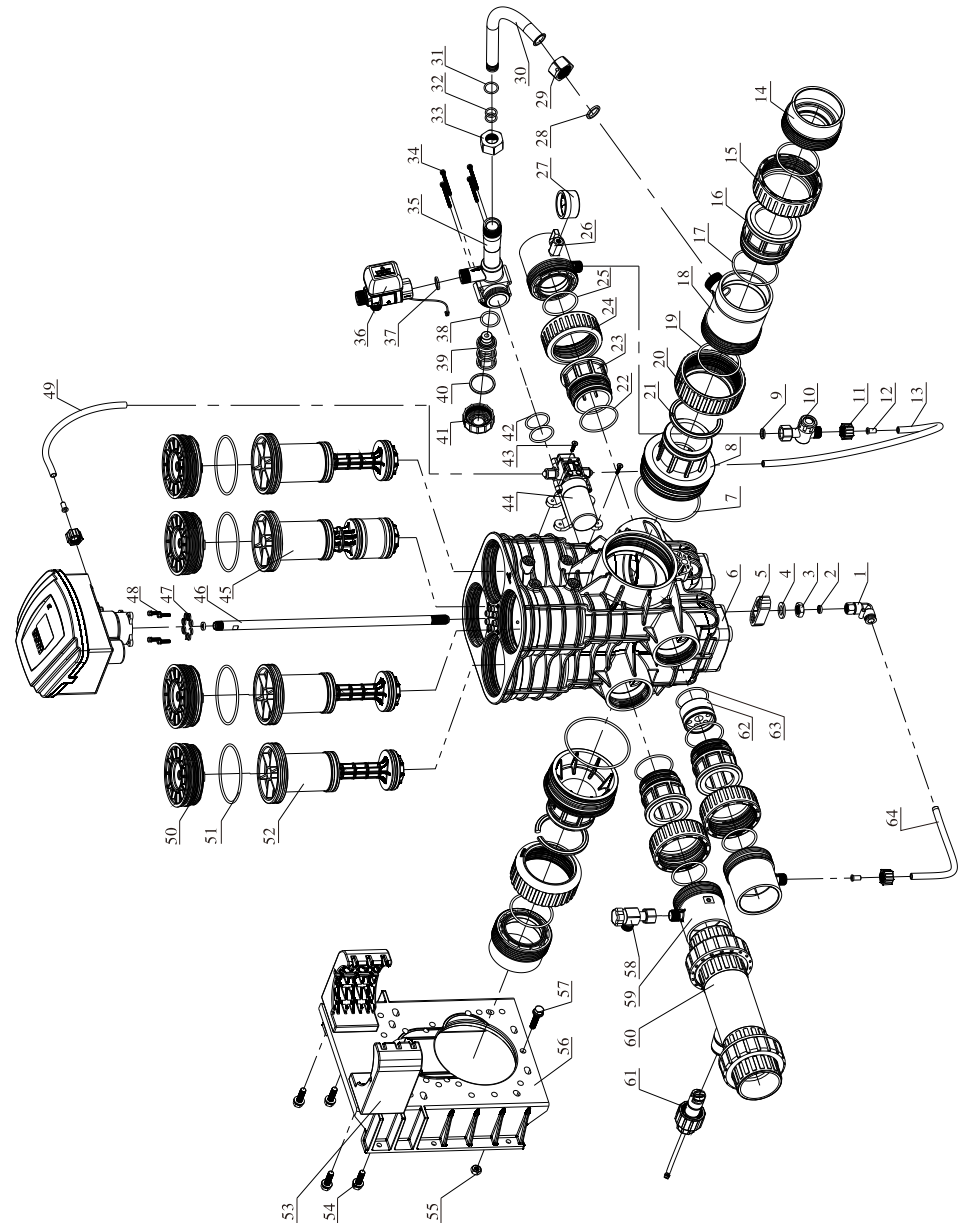
| | | |
|-------------------------------------|---|--|
| <p>14. Unit capacity decreases.</p> | <p>A. Doesn't regenerate properly. B. Fouled resin bed. C. Salt setting is not proper. D. Softener setting is not proper. E. Raw water quality deterioration. F. Turbine of flow meter is stuck.</p> | <p>A. Regenerate according to the correct operation requirement. B. Increase backwash flow rate and time, clean or change resin. C. Readjust brine drawing time. D. According to the test of outlet water, recount and reset. E. Regenerate unit by manual temporarily, then reset regeneration cycle. F. Disassemble flow meter and clean it or replace a new turbine.</p> |
|-------------------------------------|---|--|

B. Controller Fault

| Problem | Cause | Correction |
|--|--|---|
| <p>1. All indicators display on front panel.</p> | <p>A. Wiring of display board with control board fails to work. B. Control board is faulty. C. Transformer is damaged. D. Electrical service is not stable. E. Display board is damaged.</p> | <p>A. Check and replace the wiring. B. Replace control board. C. Check and replace transformer. D. Check and adjust electrical service. E. Replace display board.</p> |
| <p>2. No display on front panel</p> | <p>A. Wiring of display board with control board fails to work. B. Display board is damaged. C. Control board is damaged. D. Transformer is interrupted.</p> | <p>A. Check and replace wiring. B. Replace display board. C. Replace control board. D. Replace transformer.</p> |
| <p>3. E1 Flashes</p> | <p>A. Wiring of locating board with control board fails to work. B. Locating board is damaged. C. Mechanical driven failure. D. Faulty control board. E. Wiring of motor with controller is fault. F. Motor is damaged.</p> | <p>A. Replace wiring. B. Replace locating board. C. Check and repair mechanical part. D. Replace control board. E. Replace wiring. F. Replace motor.</p> |
| <p>4. E2 Flashes</p> | <p>A. Hall component on locating board is damaged. B. Wiring of locating board with control board fails to work. C. Control board is faulty.</p> | <p>A. Replace locating board. B. Replace wiring. C. Replace control board.</p> |
| <p>5. E3 or E4 Flashes</p> | <p>A. Control board is faulty.</p> | <p>A. Replace control board.</p> |

3.8. Assembly & Parts

63640B Structure (Main valve body part)



MODEL 51240B/53540B/53640B/61240B/63540B/63640B

63640B Valve Body Components and Part No.

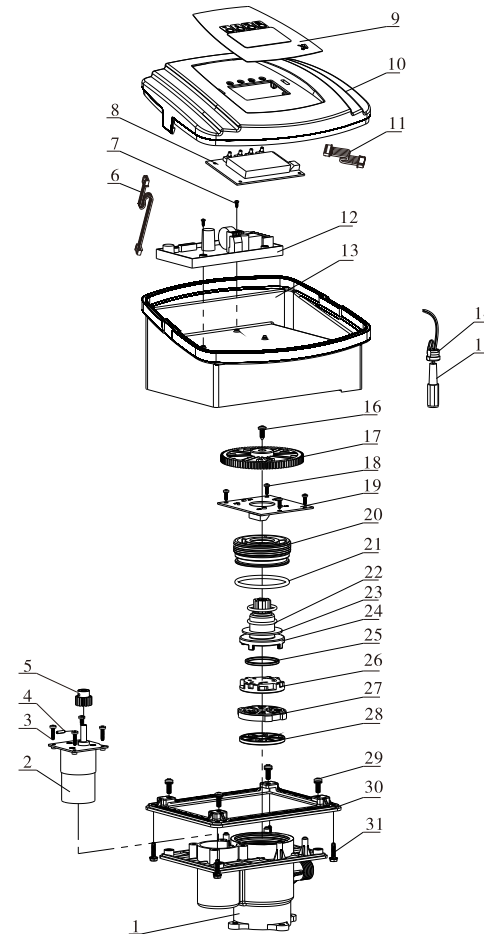
| Item no. | Description | Part No. | Quantity | Item no. | Description | Part No. | Quantity |
|----------|------------------------------|----------|----------|----------|--------------------|----------|----------|
| 1 | Air Pipeline Connector | 5455001 | 1 | 29 | Nut | 8940006 | 1 |
| 2 | Seal Washer | 8371011 | 2 | 30 | Elbow Pipeline | 8457103 | 1 |
| 3 | Nut | 8940005 | 1 | 31 | O-ring | 8378113 | 1 |
| 4 | Washer | 8952003 | 1 | 32 | O-ring | 8378162 | 1 |
| 5 | Gasket | 8156003 | 1 | 33 | Nut | 8940007 | 1 |
| 6 | Valve Body | 5022088 | 1 | 34 | Hexagonal Bolt Set | 5851005 | 4 |
| 7 | O-ring | 8378214 | 2 | 35 | Injector Body | 8008005 | 1 |
| 8 | Connector | 8458104 | 2 | 36 | Ball Valve | 6922075 | 1 |
| 9 | Seal Washer | 8371044 | 1 | 37 | Seal Washer | 8371019 | 1 |
| 10 | Filter Valve | 3914001 | 1 | 38 | O-ring | 8378104 | 1 |
| 11 | Hexagonal Nut | 8940016 | 3 | 39 | Nozzle | 8454024 | 1 |
| 12 | Pipeline | 8457025 | 3 | 40 | Seal Washer | 8371006 | 1 |
| 13 | Air Pipeline | 8465010 | 1 | 41 | Injector Cover | 8315013 | 1 |
| 14 | Connector | 8458024 | 2 | 42 | O-ring | 8378101 | 2 |
| 15 | Animated Nut | 8947008 | 1 | 43 | Screw, Cross | 8909019 | 4 |
| 16 | Connector | 8458022 | 1 | 44 | Diaphragm Pump | 2976091 | 1 |
| 17 | O-ring | 8378129 | 1 | 45 | Piston | 5450004 | 1 |
| 18 | Injector connector | 8458023 | 1 | 46 | Pipeline | 8457075 | 1 |
| 19 | O-ring | 8378138 | 3 | 47 | Seal Washer | 8371009 | 8 |
| 20 | Animated Nut | 8947036 | 2 | 48 | Hexagonal Bolt Set | 5851006 | 4 |
| 21 | Clip | 8270017 | 1 | 49 | Air Pipeline | 8465017 | 1 |
| 22 | O-ring | 8378127 | 3 | 50 | Cover | 8315064 | 4 |
| 23 | Connector | 8458020 | 3 | 51 | O-ring | 8378263 | 4 |
| 24 | Animated Nut | 8947007 | 3 | 52 | Piston | 5450003 | 3 |
| 25 | O-ring | 8378137 | 3 | 53 | Support | 5156004 | 2 |
| 26 | Pressure Gauge Protect Valve | 2976013 | 1 | 54 | Hexagonal Bolt Set | 5851001 | 4 |
| 27 | Pressure Gauge | 6342001 | 1 | 55 | Hexagonal Nut | 8940023 | 1 |
| 28 | Seal Washer | 8371001 | 1 | 56 | Fixer | 8109053 | 1 |

MODEL 51240B/53540B/53640B/61240B/63540B/63640B

| | | | | | | | |
|----|--------------------|------------|---|----|--------------|---------|---|
| 57 | Hexagonal Bolt Set | 5851009 | 1 | 61 | Impeller | 5295004 | 1 |
| 58 | Corner Valve | 3911004.05 | 1 | 62 | Flow Control | 8468047 | 1 |
| 59 | Connector | 8458021 | 4 | 63 | O-ring | 8378125 | 1 |
| 60 | Tee Joint | 8457010 | 1 | 64 | Air Pipeline | 8465013 | 1 |

Note:

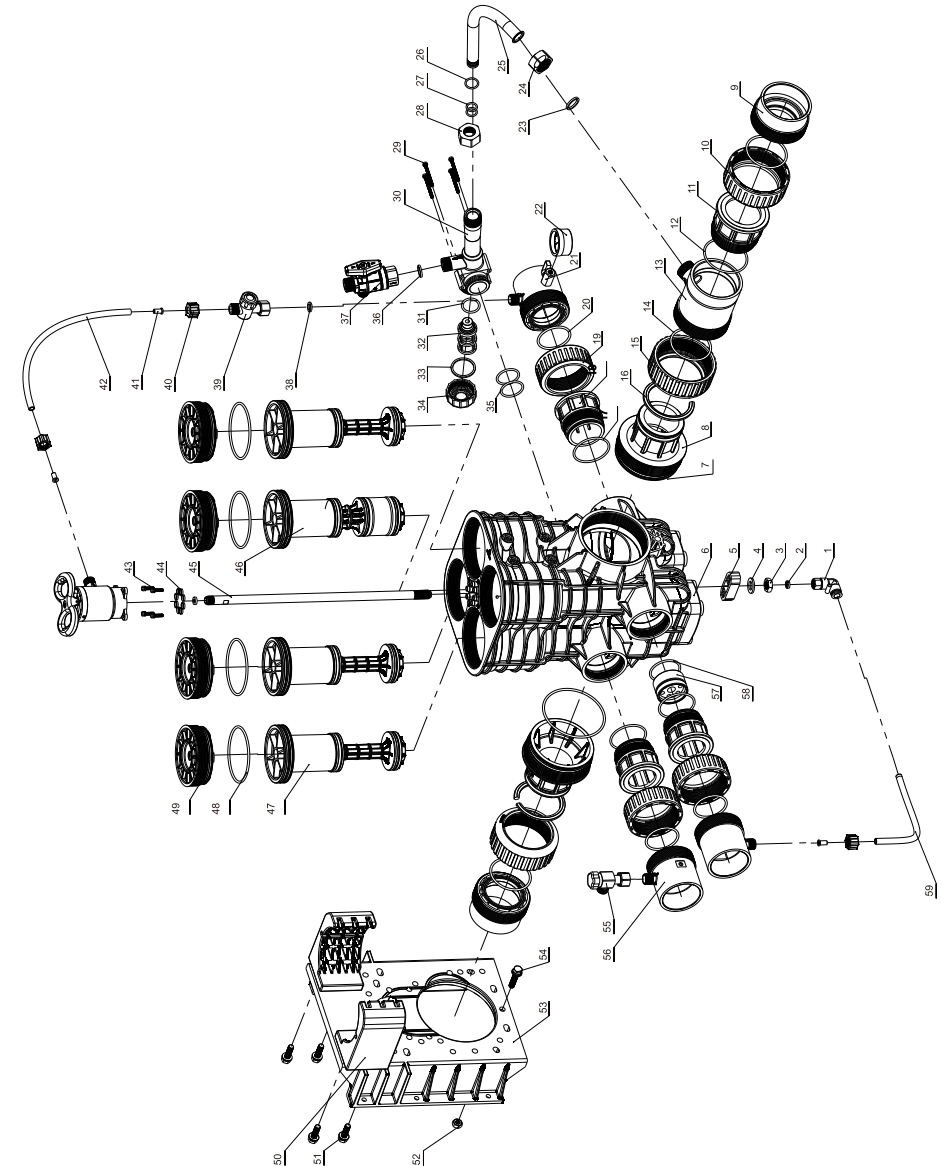
- For 63540B components, there is no #60 and #61.
 - For 53640B components, there is no #15-#19, and change #28-#41 to 1 piece of 8323012 and 4 pieces of 5851006.
 - For 53540B components, there is no #60 and #61 compared with 53640B product.
- 63640B Distribution valve



63640B Distribution Valve Components and Part No.

| Item No. | Description | Part No. | Quantity | Item No. | Description | Part No. | Quantity |
|----------|-------------------------|------------|----------|----------|----------------------|----------|----------|
| 1 | Valve Body | 5022028 | 1 | 17 | Gear | 5241005 | 1 |
| 2 | Motor | 6158007 | 1 | 18 | Screw, Cross | 8909008 | 4 |
| 3 | Screw, Cross | 8909044 | 4 | 19 | Locating Board | 6380041 | 1 |
| 4 | Pin | 8993001 | 1 | 20 | Fitting Nut | 8092007 | 1 |
| 5 | Small Gear | 8241010 | 1 | 21 | O-ring | 8378107 | 1 |
| 6 | Wire for Locating Board | 5511019 | 1 | 22 | O-ring | 8378078 | 2 |
| 7 | Screw, Cross | 8909004 | 2 | 23 | Anti-friction Washer | 8216010 | 1 |
| 8 | Display Board | 6381003 | 1 | 24 | Shaft | 8258009 | 1 |
| 9 | Label | 8865001 | 1 | 25 | Moving Seal Ring | 8370053 | 1 |
| 10 | Front Cover | 8300002.05 | 1 | 26 | Moving Disk | 8459025 | 1 |
| 11 | Wire for Display Board | 5512001 | 1 | 27 | Fixed Disk | 8469023 | 1 |
| 12 | Control Board | 6382057 | 1 | 28 | Seal Ring | 8370031 | 1 |
| 13 | Dust Cover | 8005002 | 1 | 29 | Screw, Cross | 8902005 | 4 |
| 14 | Wire Clip | 8126007 | 1 | 30 | Connecting Board | 8152033 | 1 |
| 15 | Wire for Power | 5513011 | 1 | 31 | Screw, Cross | 8909016 | 4 |
| 16 | Screw, Cross | 8909013 | 1 | | | | |

61240B Structure (Main body part)



MODEL 51240B/53540B/53640B/61240B/63540B/63640B

61240B Valve Body Components and Part No:

| Item No. | Description | Part No. | Quantity | Item No. | Description | Part No. | Quantity |
|----------|------------------------------|----------|----------|----------|--------------------|----------|----------|
| 1 | Air Pipeline Connector | 5455001 | 1 | 28 | Nut | 8940007 | 1 |
| 2 | Seal Washer | 8371011 | 2 | 29 | Hexagonal Bolt Set | 5851005 | 4 |
| 3 | Nut | 8940005 | 1 | 30 | Injector Body | 8008005 | 1 |
| 4 | Washer | 8952003 | 1 | 31 | O-ring | 8378104 | 1 |
| 5 | Gasket | 8156003 | 1 | 32 | Nozzle | 8454024 | 1 |
| 6 | Valve Body | 5022088 | 1 | 33 | Seal Washer | 8371006 | 1 |
| 7 | O-ring | 8378214 | 2 | 34 | Injector Cover | 8315013 | 1 |
| 8 | Connector | 8458104 | 2 | 35 | O-ring | 8378101 | 2 |
| 9 | Connector | 8458024 | 2 | 36 | Seal Washer | 8371019 | 1 |
| 10 | Animated Nut | 8947008 | 1 | 37 | Manual Ball valve | 2978052 | 1 |
| 11 | Connector | 8458022 | 1 | 38 | Seal Washer | 8371044 | 1 |
| 12 | O-ring | 8378129 | 1 | 39 | Filter Valve | 3914001 | 1 |
| 13 | Injector Connector | 8458023 | 1 | 40 | Hexagonal Nut | 8940016 | 3 |
| 14 | O-ring | 8378138 | 3 | 41 | Pipeline | 8457025 | 3 |
| 15 | Animated Nut | 8947036 | 2 | 42 | Air Pipeline | 8465017 | 1 |
| 16 | Clip | 8270017 | 1 | 43 | Hexagonal Bolt Set | 5851006 | 4 |
| 17 | O-ring | 8378127 | 3 | 44 | Seal Washer | 8371009 | 8 |
| 18 | Connector | 8458020 | 3 | 45 | Pipeline | 8457075 | 1 |
| 19 | Animated Nut | 8947007 | 3 | 46 | Piston | 5450004 | 1 |
| 20 | O-ring | 8378137 | 3 | 47 | Piston | 5450003 | 3 |
| 21 | Pressure Gauge Protect Valve | 2976013 | 1 | 48 | O-ring | 8378263 | 4 |
| 22 | Pressure Gauge | 6342001 | 1 | 49 | Cover | 8315064 | 4 |
| 23 | Washer | 8371001 | 1 | 50 | Support | 5156004 | 2 |
| 24 | Nut | 8940006 | 1 | 51 | Hexagonal Bolt Set | 5851001 | 4 |
| 25 | Elbow Pipeline | 8457103 | 1 | 52 | Hexagonal Nut | 8940023 | 1 |
| 26 | O-ring | 8378113 | 1 | 53 | Fixer | 8109053 | 1 |
| 27 | O-ring | 8378162 | 1 | 54 | Hexagonal Bolt Set | 5851009 | 1 |

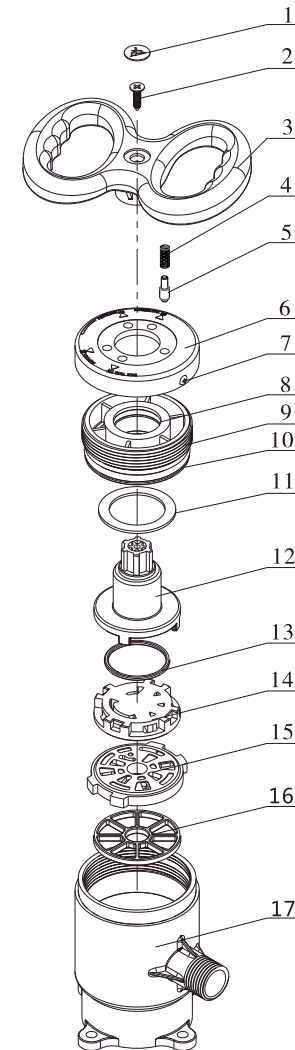
MODEL 51240B/53540B/53640B/61240B/63540B/63640B

| | | | | | | | |
|----|--------------|------------|---|----|--------------|---------|---|
| 55 | Corner Valve | 3911004.05 | 1 | 58 | O-ring | 8378125 | 1 |
| 56 | Connector | 8458021 | 4 | 59 | Air Pipeline | 8465019 | 1 |
| 57 | Flow Control | 8468047 | 1 | | | | |

Note:

• For 51240B components, there is no #10~#14, and change #23~#37 of 61240B to 1 piece of 8323012 and 2 pieces of 8378101.

61240B Distribution valve



MODEL 51240B/53540B/53640B/61240B/63540B/63640B

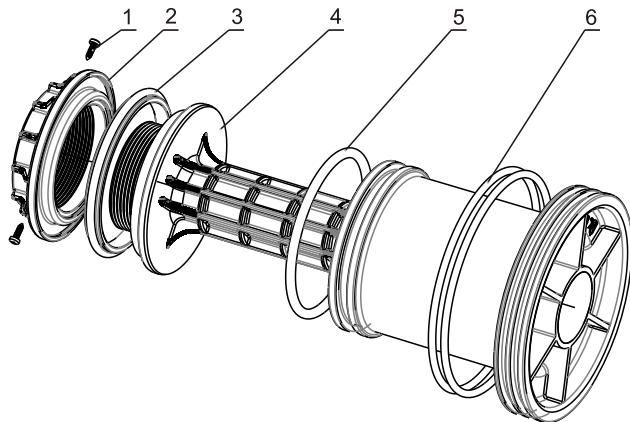
61240B Distribution Valve Components and Part No.

| Item No | Description | Part No. | Quantity | Item No | Description | Part No. | Quantity |
|---------|---------------|----------|----------|---------|-------------------------|----------|----------|
| 1 | Label | 8860001 | 1 | 10 | O-ring | 8378107 | 1 |
| 2 | Screw, Cross | 8909014 | 1 | 11 | Anti-friction Washer | 8216010 | 1 |
| 3 | Manual Wheel | 8253033 | 1 | 12 | Shaft | 8258009 | 1 |
| 4 | Spring | 8282002 | 1 | 13 | Moving Seal Ring | 8370053 | 1 |
| 5 | Locating Part | 8271012 | 2 | 14 | Moving Disk | 8459025 | 1 |
| 6 | Cover | 8444018 | 1 | 15 | Fixed Disk | 8469023 | 1 |
| 7 | Screw, Cross | 8909008 | 2 | 16 | Seal Ring | 8370031 | 1 |
| 8 | O-ring | 8378078 | 1 | 17 | Distribution Valve Body | 8022060 | 1 |
| 9 | Fitting Nut | 8092007 | 1 | | | | |

Note:

For 51240B (Distribution Valve) components, change #6 of 61240B (Distribution Valve) to 8444019.

5450003 Piston structure

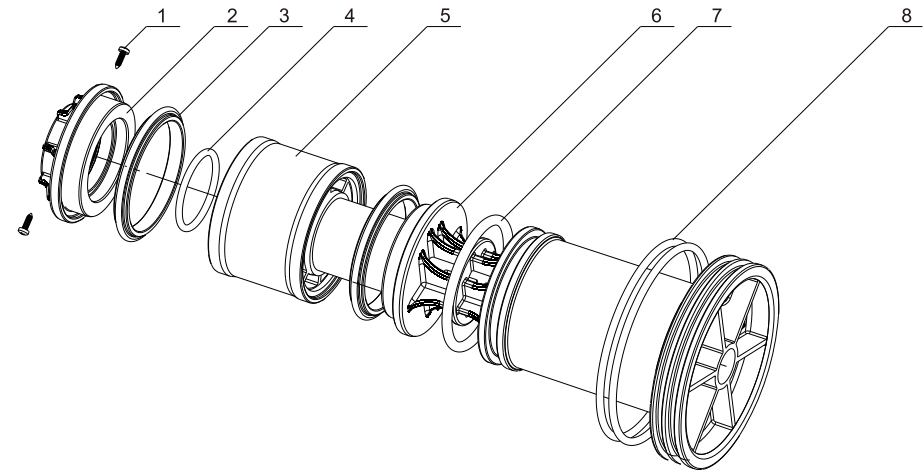


5450003 Piston Components and Part No.

| Item No. | Description | Part No. | Quantity | Item No. | Description | Part No. | Quantity |
|----------|--------------|----------|----------|----------|-------------|----------|----------|
| 1 | Screw, Cross | 8909008 | 2 | 4 | Piston | 8450006 | 1 |
| 2 | Fitting Nut | 8092047 | 1 | 5 | O-ring | 8378262 | 1 |
| 3 | Seal Ring | 8370102 | 1 | 6 | O-ring | 8378263 | 2 |

MODEL 51240B/53540B/53640B/61240B/63540B/63640B

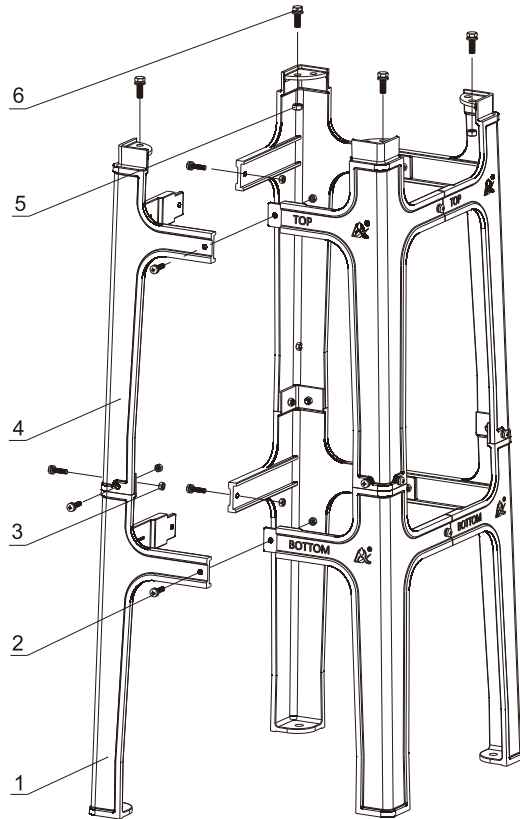
5450004 Piston Structure



5450004 Piston Components and Part No.

| Item No. | Description | Part No. | Quantity | Item No. | Description | Part No. | Quantity |
|----------|--------------|----------|----------|----------|-------------|----------|----------|
| 1 | Screw, Cross | 8909008 | 2 | 5 | Bushing | 8210006 | 1 |
| 2 | Fitting Nut | 8092048 | 1 | 6 | Piston | 8450007 | 1 |
| 3 | Seal Ring | 8370102 | 2 | 7 | O-ring | 8378262 | 1 |
| 4 | O-ring | 8378184 | 1 | 8 | O-ring | 8378263 | 1 |

5040009 Support Structure



5040009 Support Components and Part No.

| Item No. | Description | Part No. | Quantity | Item No. | Description | Part No. | Quantity |
|----------|---------------|----------|----------|----------|--------------------|----------|----------|
| 1 | Support | 8040030 | 4 | 4 | Support | 8040031 | 4 |
| 2 | Screw, Cross | 5851012 | 16 | 5 | Hexagonal Nut | 8940021 | 4 |
| 3 | Hexagonal Nut | 5851020 | 16 | 6 | Hexagonal Bolt Set | 5851002 | 4 |

4. Warranty Card

Dear client:

This warranty card is the guarantee proof of multi-functional flow control valve. It is kept by client self. You could get the after-sales services from the supplier which is appointed by Runxin manufacturer. Please keep it properly. It couldn't be retrieved if lost.

It couldn't be repaired free of charge under the below conditions:

1. Guarantee period expired. (One year)
2. Damage resulting from using, maintenance, and keeping that are not in accordance with the instruction.
3. Damage resulting from repairing not by the appointed maintenance personnel.
4. Content in guarantee proof is unconfirmed with the label on the real good or be altered.
5. Damage resulting from force majeure.

| | | | |
|------------------------------|---|----------------------------------|--|
| Product Name | Multi-functional Flow Control Valve for Water Treatment Systems | | |
| Model | | Code of Valve Body | |
| Purchase Company Name | | Tel/Cel. | |
| Problem | | | |
| Solution | | | |
| Date of Repairing | Date of Examination | Maintenance Man Signature | |

When control valve needs to send back for repair, please fill in the below content and send this card together with the product to the appointed suppliers or Runxin company.

| | | | |
|--|---|----------------------------------|----------------------------|
| End-user Company Name | | Tel/Cel. | |
| Purchase Company Name | | Tel/Cel. | |
| Model | Code of Valve Body | | |
| Tank Size $\phi \times$ | Resin Tank Size L | Raw Water Hardness mmol/L | |
| Water Source: Ground-water <input type="checkbox"/> Tap Water <input type="checkbox"/> | Water Treatment Capacity m³ | Backwash Time min | |
| Brine Draw Time min | Slow Rinse Time min | Brine Refill Time min | Fast Rinse Time min |
| Problem Description | | | |