

◎本公司保留更改产品设计与规格的权利 产品外观及参数若有不符,请以实物为准。  
Product appearance, specification and parameter, please be subject to the real product.

硬密封

Hard sealing

耐腐蚀

Good corrosion resistance

轻扭矩

Low torque

耐久用

Durability

出口33个国家和地区

Exported to 33 countries and regions

全国统一服务热线



400-000-2895



www.run-xin.com

温州市润新机械制造有限公司

WENZHOU RUNXIN MANUFACTURING MACHINE CO.,LTD

地址: 浙江省温州市鹿城区山福镇润新路169号

No.169, Runxin Road, Shanfu Town, Wenzhou, Zhejiang, China

电话 (Tel): +86-577-88576511 88630038 邮编 (P.C): 325021

传真 (Fax): +86-577-88633258 E-mail:sales@run-xin.com



# 陶瓷硬密封球阀

Ceramic Hard Sealing Ball Valve

◎专利号(Patent): ZL201320732225.7



专利技术

Patented technology



## 扭矩轻轻 耐用久久

Low torque and durable

启闭部件均为特种陶瓷材料

The opening and closing parts are made of special ceramic materials



PRODUCT MANUAL ■ 2023-04



## 陶瓷硬密封球阀专业制造商

International Professional Manufacturer of Ceramic Hard Sealing Ball Valve



## 目录

### Contents

●企业简介Company Profile.....	01/02
●企业荣誉Company Honor.....	03/04
●生产工艺The Production Process.....	03/04
●陶瓷阀芯特点Ceramic Ball Valve Features.....	05/06
●碳化硅阀芯特点Silicon Carbide Ball Valve Features.....	05/06
●关于球阀的编号Ball Valve Part Number.....	07/08
●手动球阀 Manual Ball Valve .....	07/08
●手动三通球阀Manual Three-way Ball Valve .....	11/12
●二线控制电动球阀Two Wires Controlling Ball Valve .....	13/14
●二线控制电动三通球阀Two Wires Three-way Ball Valve .....	15/16
●可设定启闭时间段球阀Duration Time Control Ball Valve.....	17/18
●可设定启闭时间点球阀 Point in Time Control Ball Valve.....	19/20

●二线断电复位球阀Two Wires Power Reset Ball Valve.....	21/22
●三线断电复位球阀Three Wires Power Reset Ball Valve.....	23/24
●三线控制球阀(DC)Three Wires Controlling Ball Valve (DC).....	23/24
●三线控制球阀(AC) Three Wires Controlling Ball Valve (AC).....	25/26
●二线带位置反馈球阀Two Wires Ball Valve with Position Feedback.....	29/30
●三线带位置反馈AC220V Three Wires Ball Valve with Position Feedback.....	31/32
●气动陶瓷芯金属球阀Pneumatic Ball Valve with Metal Valve Body .....	33/34
●陶瓷硬密封脉冲电动球阀Ceramic hard sealing pulse electronic ball valve.....	35/36
●陶瓷硬密封脉冲先导气/液动球阀Ceramic hard sealing pulse pilot pneumatic/hydraulic ball valve.....	35/36
●过滤&软化/混床球阀控制器 Ball Valve Controller for Filter & Softener and Mixed Bed Water Treatment Systems.....	35/36
●应用领域Range Of Application.....	39/40



## 企业简介 Company Profile

温州市润新机械制造有限公司，成立于2000年，位于温州市山福镇，主营水处理多功能控制阀（“润新阀”）、润莱全屋净水产品和陶瓷硬密封球阀等系列产品，建立省级技术研发中心和省级研究院，获评国家高新技术企业、工信部专精特新“小巨人”企业、浙江省“隐形冠军”企业、温州市第一批最美工厂“、温州市领军企业、温州市百佳诚信企业等荣誉称号。

由公司自主研发、拥有完全自主知识产权的“润新阀”系列产品，凭借创新性的独特结构获得美国、俄罗斯、韩国、墨西哥、澳大利亚以及欧盟成员国德国、意大利、法国等十几个国家的发明专利授权，以其高度的质量可靠性和卫生安全性连续12年通过美国NSF认证，通过欧盟CE、RoHS认证、俄罗斯EAC认证、法国ACS认证，出口140个国家和地区，在全球市场享有盛誉。

陶瓷硬密封球阀“润新阀”核心技术延伸成果，其核心部件阀芯与阀座采用刚玉陶瓷或碳化硅材料，经1680℃或2200℃超高温烧结而成，洛氏硬度HRA≥85，具有硬密封、轻扭矩、耐腐蚀、耐磨损、耐久用等特点，适用于盐酸、硫酸、氢氧化钠、海水、工业废水等多种酸、碱及特殊介质，可通过手动、自动、气动方式以及手机智能控制等方式实现巧妙控制，通过欧盟CE和RoHS认证，出口全球33个国家和地区，被广泛应用于海水淡化、光伏、造纸、印染、电镀、冶炼、化工、医疗、流体智能控制、卡式水表以及污水处理等行业，大受好评。

润新公司始终秉承“超越自我 奉献社会”的企业精神，坚持本色，创新提效，以让人们能够更方便、更经济地用上健康、安全的水为企业使命，为实现国际性陶瓷硬密封球阀专业制造商而不懈奋斗！

Wenzhou Runxin Manufacturing Machine Co.,Ltd., established in 2000, is located in Shanfu Town, Wenzhou City. It mainly deals in multi-functional flow control valves for water treatment systems ("Runxin Valve"), Runlucky water purification products and ceramic hard sealing ball valves, etc. It has established provincial technology R&D center and provincial enterprise research institute, was awarded as National New High-tech Enterprise, National Specialized, Fined, Peculiar and Innovative "Little Giant" Enterprise by the Ministry of Industry and Information Technology, Zhejiang Hidden Champion Enterprise, and Wenzhou First Batch of "The Most Beautiful Factories", Wenzhou Leading Enterprise and Wenzhou High Integrity Enterprise etc.

The "Runxin Valve" series products are independently developed by the company and possessing completely independent intellectual property rights, and have won invention patent authorization from more than a dozen countries including the United States, Russia, South Korea, Mexico, Australia, and EU member states such as Germany, Italy, France, etc., with its innovative and unique structure. With high quality, reliability and hygiene and safety, it passed the American NSF certification for 12 consecutive years, passed the EU CE, RoHS certification, Russian EAC certification, French ACS certification, exported to 140 countries and regions, and enjoyed a high reputation in the global market.

The ceramic hard sealing ball valve is an extension of the core technology of "Runxin Valve". Its core components, valve core and valve seat, are made of corundum ceramic or silicon carbide, sintered at 1680℃ or 2200℃ ultra-high temperature, and the Rockwell hardness HRA ≥ 85, it has the characteristics of hard sealing, low torque, corrosion resistance, abrasion resistance, durability, etc. It is suitable for various acids, alkalis and special media, such as hydrochloric acid, sulfuric acid, sodium hydroxide, sea water, industrial wastewater, etc. It can achieve clever control by manually, automatically, pneumatically or intelligent controlled by mobile phone, and other methods. It has passed the EU CE and RoHS certification, exported to 33 countries and regions around the world, is widely used in seawater desalination, photovoltaic, paper, printing and dyeing, electroplating, smelting, chemical, medical, fluid industries intelligent control, cassette water meter and sewage treatment, and have been hugely popular.

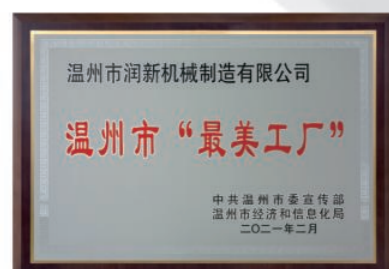
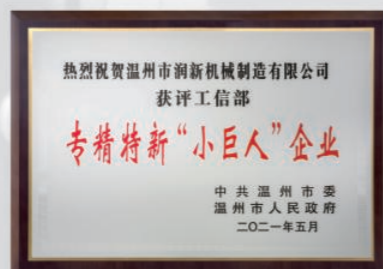
Runxin company always adheres to the enterprise spirit of "Surpass myself, dedicate to society.", keeps original characteristics firmly, stays innovative and effective, and let people could use healthy and safe water more conveniently and economically as its corporate mission, makes unremitting efforts in order to achieve international professional manufacturer of ceramic hard sealing ball valve!

## 企业荣誉

Company Honor

## 资质 专利 认证

Qualification, patent and certification



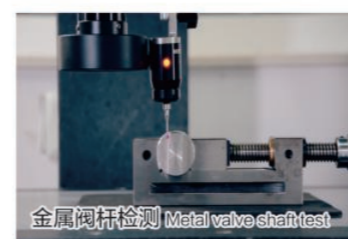
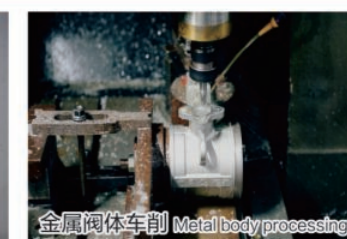
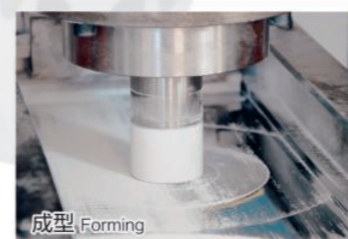
## 生产工艺

The Production Process

陶瓷硬密封球阀是润新公司将炉火纯青的陶瓷平面密封制造技术延伸到陶瓷球面密封的成果，其核心部件阀芯与阀座采用性能优良的刚玉陶瓷或碳化硅陶瓷，经1680℃或2200℃超高温烧结而成，洛氏硬度HRA≥85，经平面磨、外圆磨、快速球磨、球面对研等工序精密加工，确保球芯圆度达到6μm以下，阀芯与几乎完全贴合的阀座相对旋转实现启闭，轻扭矩得以精妙展现。具有硬密封、轻扭矩、耐腐蚀、耐磨损、耐久用等特点，具有普通塑料或金属软/硬密封球阀无可比拟的优势。

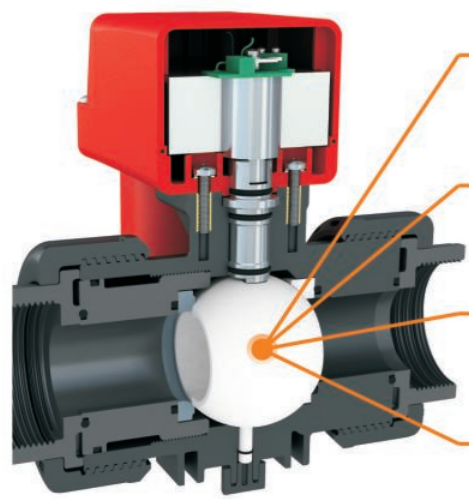
Ceramic ball valve is the result of Runxin extending the hermetic head face technology to the spherical sealing. The core components ball core and valve seat are made of corundum ceramic or silicon carbide material with excellent performance, sintered at 1680℃ or 2200℃ ultra-high temperature, Rockwell hardness HRA≥85. Surface grinding, cylindrical grinding, fast sphere grinding, paired sphere grinding and other processes are precisely processed to ensure that the ball core roundness is accurate to less than 6μm. Opening and closing will be realized by the relative rotation between the ball core and the almost completely fitted valve seat.

It has the characteristics of hard sealing, low torque, good corrosion resistance, good wear resistance and durability, and has unparalleled advantages compared with ordinary plastic or metal ball valves.



## 球芯使用工程陶瓷

The ball core adopt engineering ceramic



- 硬密封** Hard sealing  
The valve core and valve seat adopt engineering ceramic
- 轻扭矩** Low torque  
Torque only a quarter of the traditional ball valve
- 耐腐蚀** Corrosion resistance  
Plastic or SS valve body, ceramic sealing
- 耐磨损** Good wear resistance  
Ball core and valve seat are ground precisely to ensure no leakage

## 氧化铝陶瓷芯特点

Alumina ceramic core features

- 陶瓷球芯经1680℃超高温烧结而成；
- 采用刚玉陶瓷，AL<sub>2</sub>O<sub>3</sub>含量≥95%；
- 陶瓷球硬度HRA≥85；
- 耐酸碱性：能耐强/弱酸、弱碱、无机盐等的腐蚀



- The ceramic ball core is sintered at 1680℃
- Adopt corundum ceramics, Al<sub>2</sub>O<sub>3</sub> content ≥95%；
- Ceramic ball hardness HRA≥85
- Acid and alkali resistance: can be resistant to corrosion by strong/weak acid, weak alkali, inorganic salt, etc.

## 碳化硅阀芯特点

Silicon carbide core features

- 质量轻、高硬度、耐磨损**  
碳化硅球芯经2200℃以上超高温烧结而成，硬度≥HRA90。
- 耐高温**  
在1500℃的高温环境下也不会反应
- 化学稳定性好，耐酸碱腐蚀性优良**  
在HF酸或5mol/L HNO<sub>3</sub>中依然保持稳定
- 具有优异的导热性，热膨胀性低**  
在急冷急热的环境下不易崩裂
- 低摩擦系数**  
具有优良的干润滑性，启闭更轻松。



- Light weight, high hardness, good wear resistance**  
The silicon carbide core is sintered at an ultra-high temperature above 2200℃, and its hardness is ≥HRA90.
- High temperature resistance**  
It will not react under the high temperature of 1500℃
- Good chemical stability, excellent acid and alkali resistance**  
Stable in HF acid or 5mol/L HNO<sub>3</sub>
- Has excellent thermal conductivity**  
low thermal expansionIt is not easy to crack in the environment of rapid cold and hot
- Low friction coefficient**  
With excellent dry lubricity, easier opening and closing

## 球阀阀芯常用材料的耐腐蚀性能表

Corrosion resistance table of commonly used materials of ball core

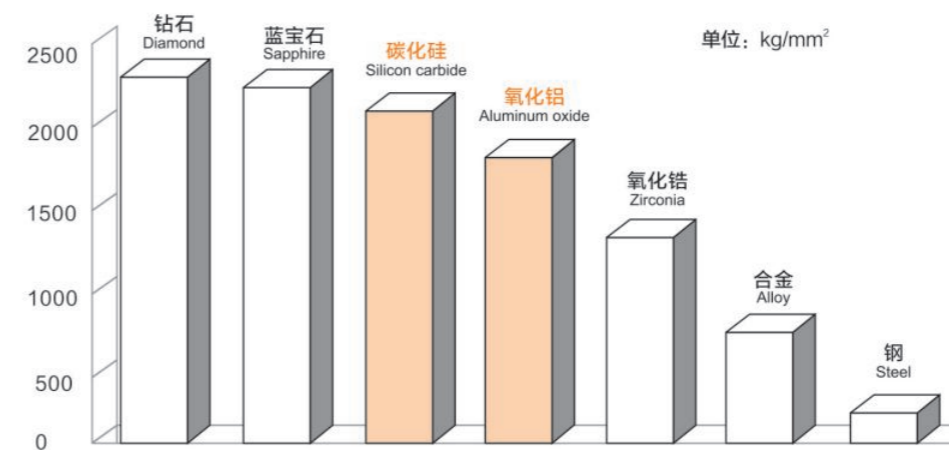
介质 Media	温度 Temperature	ZrO <sub>2</sub>	95AL <sub>2</sub> O <sub>3</sub>	SiC	Si <sub>3</sub> N <sub>4</sub>	SS304	SS316
20%HCL	60℃	A	A	A	B	C	C
20%HCL	95℃	A	A	A	C	--	--
90%H <sub>2</sub> SO <sub>4</sub>	60℃	A	A	A	A	C	C
90%H <sub>2</sub> SO <sub>4</sub>	95℃	A	A	A	B	C	C
60%H <sub>3</sub> PO <sub>4</sub>	60℃	A	A	A	C	C	C
60%H <sub>3</sub> PO <sub>4</sub>	95℃	A	A	A	C	C	C
10%HF	60℃	C	B	A	A	C	C
46%HF	95℃	C	C	A	C	--	--
60%HNO <sub>3</sub>	60℃	A	B	A	C	A	A
60%HNO <sub>3</sub>	95℃	A	C	A	C	B	B
30%NaOH	60℃	A	C	A	B	A	A
30%NaOH	95℃	B	C	A	C	A	B

A—无腐蚀或腐蚀可以忽略，推荐使用。  
B—轻微腐蚀或较少腐蚀，适合使用。  
C—腐蚀中等或较大，不推荐使用。  
-- 腐蚀严重，不能使用。

A--no corrosion or corrosion can be ignored, it is recommended.  
B--Slightly corroded or less corroded, suitable for use.  
C--Medium or large corrosion, it is not recommended. One is severely corroded and cannot be used.  
--The corrosion is serious and cannot be used.

## 常见物质硬度对比表

Comparison table of hardness of common substances



润新硬密封球阀阀芯采用氧化铝或碳化硅，经1680℃或2200℃超高温烧结而成，其硬度仅次于蓝宝石和钻石，能够适应各种高磨损、高冲刷工况。

传统软密封球阀的阀芯容易受硬颗粒杂质划伤或磨损，产生泄漏。

Runxin hard sealing ball valve core is made of alumina or silicon carbide and sintered at 1680℃ or 2200℃. Its hardness is second only to sapphire and diamond, and it can adapt to various high wear and high erosion conditions. The valve core of the traditional soft sealing ball valve is easily scratched or worn by hard particles and impurities, resulting in leakage.

# 关于球阀的编号

## Ball Valve Part Number



表1驱动方式代号 Table 1 Ceramic ball valve driven type code

驱动方式 Driven Type	电磁驱动 Solenoid Driven	蜗轮 Worm Gear Driven	锥齿轮 Bevel Gear Driven	气动 Gas Driven	电动 Electronic Driven
代号 Code	0	2	5	6	9

手动驱动时省略; 对于气动球阀: 常开式用6K; 常闭式用6B表示; 对于断电复位球阀: 常开式用9K; 常闭式用9B表示。  
There is no this code for manual ball valve. For gas driven ball valve, "6K" represents normal open, "6B" represents normal close. For the power reset ball valve, "9K" represents normal open, "9B" represents normal close.

表2连接形式代号 Table 2 Ceramic ball valve connecting type code

连接形式 Connecting Type	代号 Code	连接形式 Connecting Type	代号 Code
内螺纹 Female Thread	1	焊接式 Weld	6
外螺纹 Male Thread	2	对夹 Butt Clamp	7
胶接 Glue	3	卡箍 Clamp	8
法兰式 Flange	4	卡套 Clip	9
热熔 Hot Melting	5		

表3结构形式代号 Table 3 Ceramic ball valve structure type code

结构形式 Structure Type	代号 Code	结构形式 Structure Type	代号 Code
直通流道 Straight Passway	1	四通流道 Four-way Passway	6
浮动球 Y形三通流道 Y Shape Three-way Passway	2	直通流道 Straight Passway	7
截止阀 L形三通流道 L Shape Three-way Passway	4	T形三通流道 T Shape Three-way Passway	8
浮动球 T形三通流道 T Shape Three-way Passway	5	L形三通流道 L Shape Three-way Passway	9
		固定球 Fixed Ball	

表4阀体材料代号 Table 4 Ceramic ball valve body material code

阀体材料 Valve Body Material	PPO	HPb59-1	304	316	316L	UPVC	CPVC	PPH
代号 Code	0	1	2	3	4	5	6	7

表5陶瓷材料代号 Table 5 Ceramic materials

密封面材料 Sealing part materials	95瓷 95% Al <sub>2</sub> O <sub>3</sub>	SiC	ZrO <sub>2</sub>	Si <sub>3</sub> N <sub>4</sub>	99瓷 99% Al <sub>2</sub> O <sub>3</sub>
代号 Code	1	2	3	4	5

表6输入电压代号 Table 6 Ceramic ball valve input voltage code

输入电压 Input Voltage	DC6V	DC12V	DC24V	DC36V	AC220V
代号 Code	1	2	3	4	5

当阀门还具有其它功能作用或带有其他特异结构时, 在阀门类型代号前再加注一个汉语拼音字母表示;  
If ball valve has other function or structure, we will add a letter before valve type code.

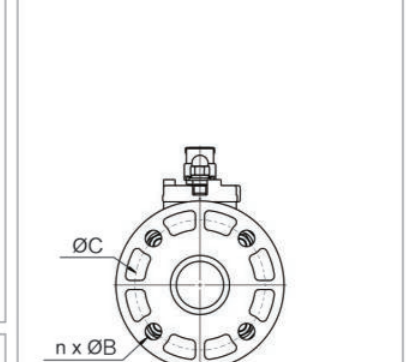
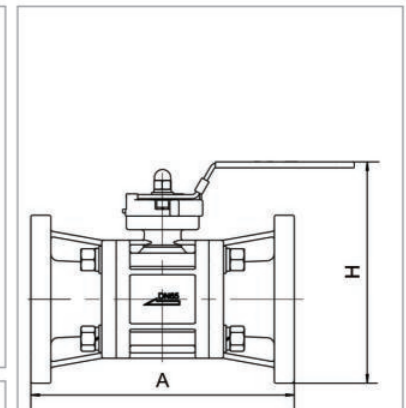
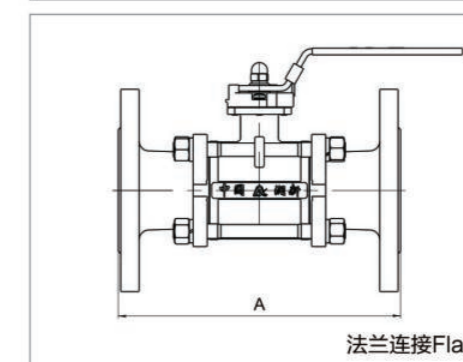
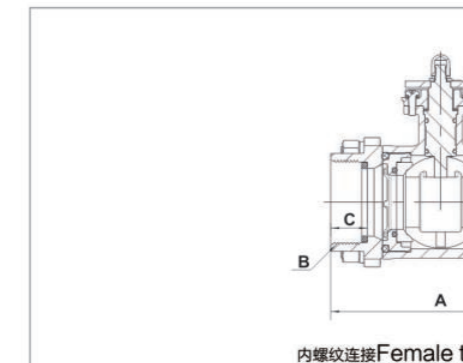
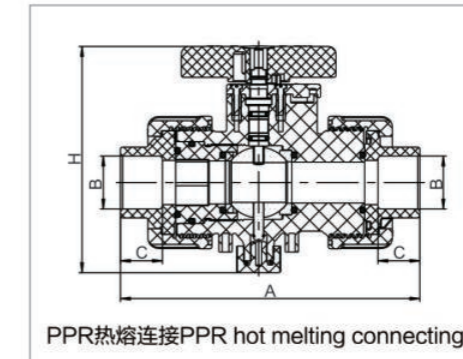
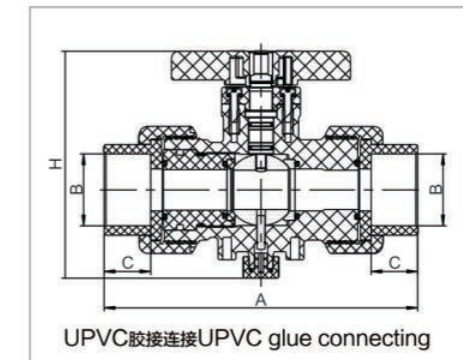
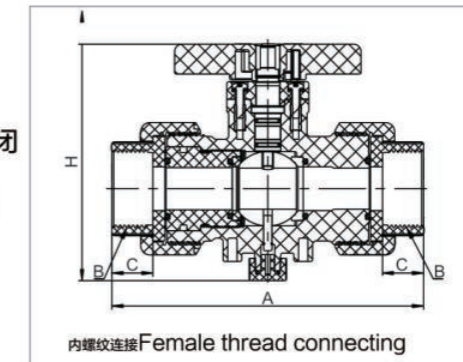
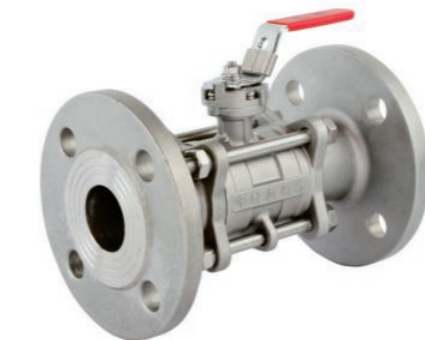
表7具有其它功能作用或带有其他特异结构的阀门代号

功能作用名称 Function	防火型 Fireproof Type	缓闭型 Slow-closure Type	排渣型 Slagging Type	快速型 Fast Type	辅助手动型 Auxiliary Manual Type	调节型 Adjustable Type	(阀杆密封)波纹管型 (Shaft Seal) Corrugated pipe Type
代号 Code	F	H	P	Q	S	V	W

# 手动球阀

## Manual Ball Valve

手动控制:通过手柄或手轮来控制球阀启闭  
Manual Control:Open and close the valve through the handle or hand wheel



手动球阀 Manual Ball Valve							
公称通径DN Nominal	连接方式 Connecting Type	型号 New Model	尺寸 Size				启闭方式 Open-close Type
			A	B	C	H	
DN15	PPH内螺纹 PPH Female Thread Type Connecting	Q1171-15	111	G1/2	14	87	手柄 Handle
	UPVC胶接 UPVC Glue Type Connecting	Q3171-15	123	φ20.2	20	87	手柄 Handle
	PPR热熔 PPR Hot Melting Connecting	Q5171-15	121	φ19.2	19	87	手柄 Handle
	不锈钢内螺纹 SS Female Thread Type Connecting	Q1141-15	89	G1/2	18	84	手柄 Handle
DN20	PPH内螺纹 PPH Female Thread Type Connecting	Q1171-20	119	G3/4	16	87	手柄 Handle
	UPVC胶接 UPVC Glue Type Connecting	Q3171-20	123	φ25.2	20	87	手柄 Handle
	PPR热熔 PPR Hot Melting Connecting	Q5171-20	121	φ24	19	87	手柄 Handle
	不锈钢内螺纹 SS Female Thread Type Connecting	Q1141-20	89	G3/4	18	84	手柄 Handle
	不锈钢卡箍 SS Clamp Type Connecting	Q8141-20	102	φ43.5	φ50.5	85.8	手柄 Handle
	不锈钢法兰 SS Flange Type Connecting	Q4141-20	150	4×φ14	φ75	113	手柄 Handle
DN25	PPO内螺纹 PPO Female Thread Type Connecting	Q1101-25	138	G1	20	102	手柄 Handle
	UPVC胶接 UPVC Glue Type Connecting	Q3101-25	142	φ32.2	22	102	手柄 Handle
	PPR热熔 PPR Hot Melting Connecting	Q5101-25	146	φ31	24	102	手柄 Handle
	不锈钢内螺纹 SS Female Thread Type Connecting	Q1141-25	99	G1	20	99	手柄 Handle
	不锈钢卡箍 SS Clamp Type Connecting	Q8141-25	116	φ43.5	φ50.5	98.3	手柄 Handle
	不锈钢法兰 SS Flange Type Connecting	Q4141-25	160	4×φ14	φ85	128	手柄 Handle

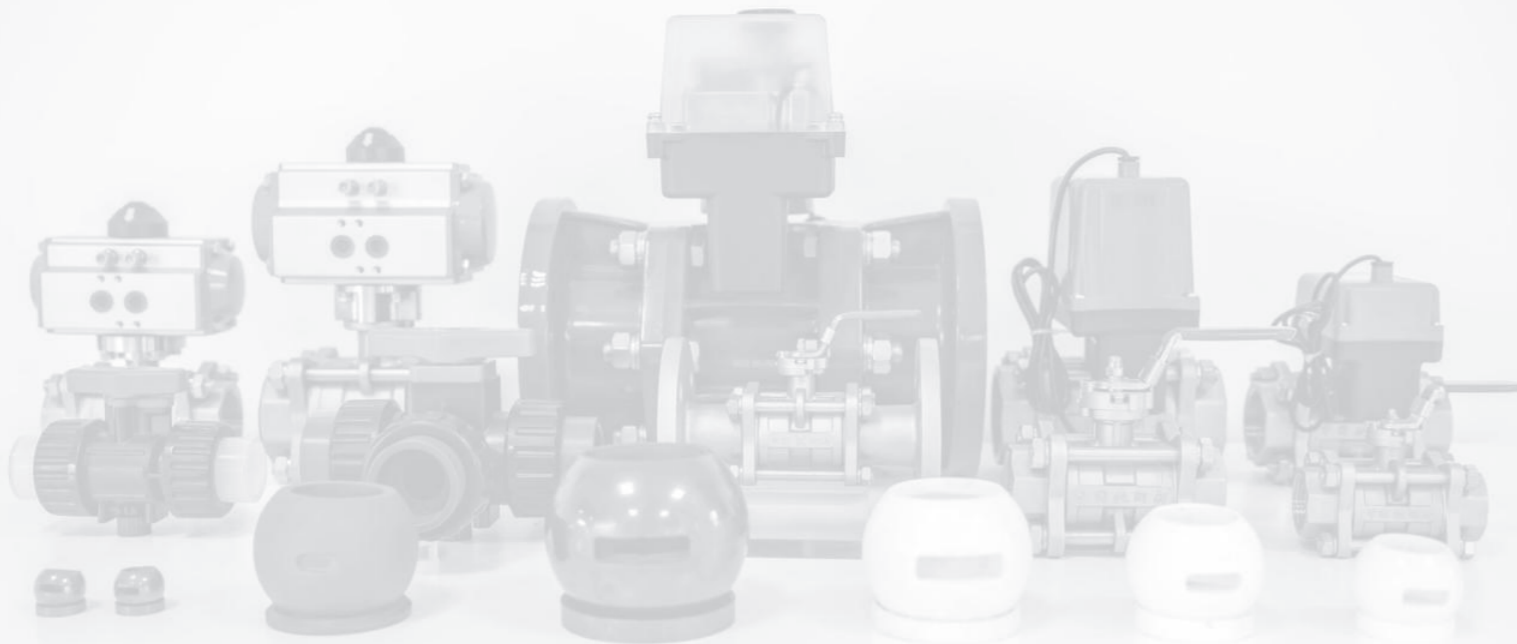
手动球阀 Manual Ball Valve								
公称通径DN Nominal	连接方式 Connecting Type	型号 New Model	尺寸 Size				启闭方式 Open-close Type	
			A	B	C	H		
DN32	PPO内螺纹 PPO Female Thread Type Connecting	Q1101-32	167	G1 1/4	22	127	手柄 Handle	
	UPVC胶接 UPVC Glue Type Connecting	Q3101-32	174	φ40.2	26	127	手柄 Handle	
	不锈钢内螺纹 SS Female Thread Type Connecting	Q1141-32	120	G1 1/4	20	127	手柄 Handle	
	不锈钢卡箍 SS Clamp Type Connecting	Q8141-32	136	φ43.5	φ50.5	127.2	手柄 Handle	
	不锈钢法兰 SS Flange Type Connecting	Q4141-32	180	4×φ18	φ100	162	手柄 Handle	
	DN40	PPO内螺纹 PPO Female Thread Type Connecting	Q1101-40	182	G1 1/2	24	141	手柄 Handle
UPVC胶接 UPVC Glue Type Connecting		Q3101-40	196	φ50.2	31	141	手柄 Handle	
不锈钢内螺纹 SS Female Thread Type Connecting		Q1141-40	128	G1 1/2	23	137	手柄 Handle	
不锈钢卡箍 SS Clamp Type Connecting		Q8141-40	160	φ56.5	φ64	131.7	手柄 Handle	
不锈钢法兰 SS Flange Type Connecting		Q4141-40	200	4×φ18	φ110	172	手柄 Handle	
DN50		PPO内螺纹 PPO Female Thread Type Connecting	Q1101-50	212	G2	25	173	手柄 Handle
		UPVC胶接 UPVC Glue Type Connecting	Q3101-50	237	φ63.2	38	173	手柄 Handle
	不锈钢内螺纹 SS Female Thread Type Connecting	Q1141-50	155	G2	26	162	手柄 Handle	
	不锈钢卡箍 SS Clamp Type Connecting	Q8141-50	190	φ70.5	φ77.5	161.7	手柄 Handle	
	不锈钢法兰 SS Flange Type Connecting	Q4141-50	230	4×φ18	φ125	119	手柄 Handle	



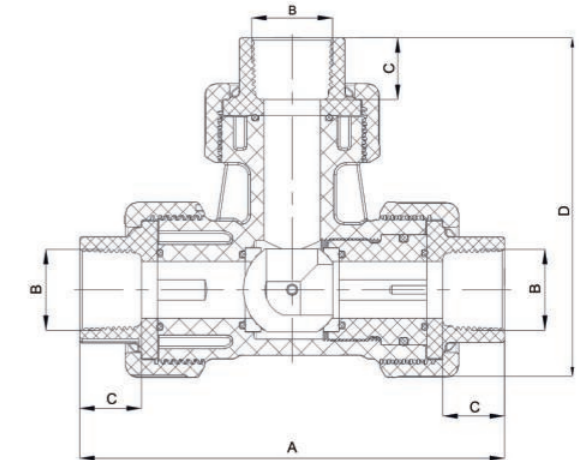
手动球阀 Manual Ball Valve							
公称通径DN Nominal	连接方式 Connecting Type	型号 New Model	尺寸 Size				启闭方式 Open-close Type
			A	B	C	H	
DN65	UPVC胶接 UPVC Glue Type Connecting	Q3151-65	202	φ75.4	44	216	手柄 Handle
	UPVC法兰 UPVC Flange Type Connecting	Q4151-65	285	4×φ18	φ145	2435	手柄 Handle
	不锈钢内螺纹 SS Female Thread Type Connecting	Q1141-65	196	G2 1/2	29	203	手柄 Handle
	不锈钢法兰 SS Flange Type Connecting	Q4141-65	290	4×φ18	φ145	234	手柄 Handle
DN80	UPVC胶接 UPVC Glue Type Connecting	Q3151-80	232	φ90.5	51	246	手柄 Handle
	UPVC法兰 UPVC Flange Type Connecting	Q4151-80	305	8×φ18	φ160	2645	手柄 Handle
	不锈钢内螺纹 SS Female Thread Type Connecting	Q1141-80	216	G3	32	219	手柄 Handle
	不锈钢法兰 SS Flange Type Connecting	Q4141-80	310	8×φ18	φ160	249	手柄 Handle
DN100	不锈钢法兰 SS Flange Type Connecting	Q4141-100	305	8×φ18	φ180	305	手轮 Wheel Handle

备注: 手动塑料球阀阀体为PPH、PPO或“UPVC”材料, 手动金属球阀阀体为不锈钢316L材质, 采用浮动球直通结构; 塑料阀体: 工作温度0~60℃, 工作压力0~1MPa, EPDM和FKM橡胶密封材质可选; 金属阀体: 工作温度0~120℃, 工作压力0~1.6MPa, EPDM和FKM橡胶密封材质可选, 其中FKM橡胶密封材质工作温度0~200℃。

Remark: Plastic manual ball valve, the valve body material is pp PPH, PPO or UPVC; Metal manual ball valve, the valve body material is 316L stainless steel; Ball valve adopt the floating ball straight passway structure. Plastic ball valve: Working temperature: 0~60℃; Working pressure: 0~1MPa; Sealing rubber material: EPDM, FKM optional. Metal ball valve: Working temperature: 0~120℃; Working pressure: 0~1.6MPa; Sealing rubber material: EPDM, FKM optional (FKM working temperature can reach 0~200℃).



## 手动三通球阀 Manual Three-way Ball Valve



手动三通球阀 Manual Three-way Ball Valve							
公称通径DN Nominal	连接方式 Connecting Type	型号 New Model	尺寸 Size				启闭方式 Open-close Type
			A	B	C	D	
DN25	PPO内螺纹 PPO Female Thread Type Connecting	Q1401-25	172	G1	22	138	手柄 Handle
	UPVC胶接 UPVC Glue Type Connecting	Q3401-25	174	φ32.2	26	139	手柄 Handle
DN32	PPO内螺纹 PPO Female Thread Type Connecting	Q1401-32	166	G1 1/4	22	134.5	手柄 Handle
	UPVC胶接 UPVC Glue Type Connecting	Q3401-32	174	φ40.2	26	139	手柄 Handle
DN40	PPO内螺纹 PPO Female Thread Type Connecting	Q1401-40	182	G1 1/2	24	159	手柄 Handle
	UPVC胶接 UPVC Glue Type Connecting	Q3401-40	196	φ50.2	31	166	手柄 Handle
DN50	PPO内螺纹 PPO Female Thread Type Connecting	Q1401-50	212	G2	25	182.5	手柄 Handle
	UPVC胶接 UPVC Glue Type Connecting	Q3401-50	237	φ63.2	38	198.5	手柄 Handle
DN65	UPVC胶接 UPVC Glue Type Connecting	Q3451-65	283	φ75.4	43	/	手柄 Handle
DN80	UPVC胶接 UPVC Glue Type Connecting	Q3451-80	330.5	φ90.5	51	/	手柄 Handle

备注: 阀体为PPO材料, 采用浮动球“L”形三通结构; 工作温度0~60℃, 工作压力0~1MPa, EPDM和FKM橡胶密封材质可选。Q1401-25球阀另有“NPT”接头可选。

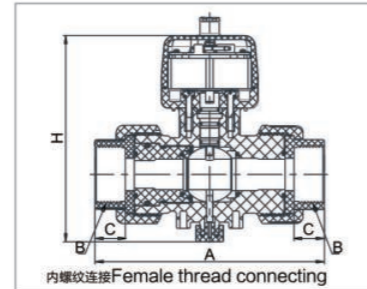
Remark: The valve body material is PPO; It adopts the floating ball with L shape three-way structure. Working temperature: 0~60℃; Working pressure: 0~1MPa; Sealing rubber material: EPDM, FKM optional. For Q1401-25 ball valve, there is NPT connector for optional.

# 二线控制电动球阀

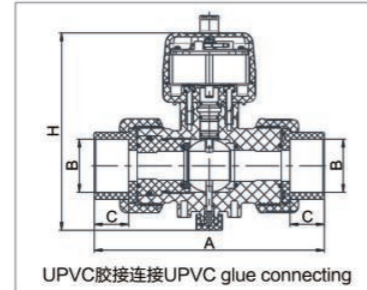
## Two Wires Controlling Ball Valve

两线控制：电源控制线为两芯线，通过电源换向来控制球阀启闭。

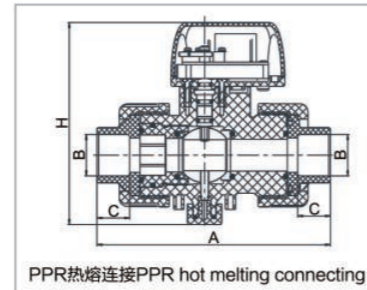
Two Wires Controlling: Open and close the valve through switching the polarity of motor.



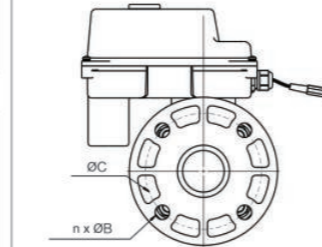
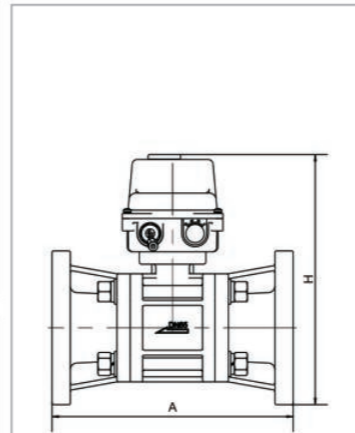
内螺纹连接 Female thread connecting



UPVC胶连接 UPVC glue connecting



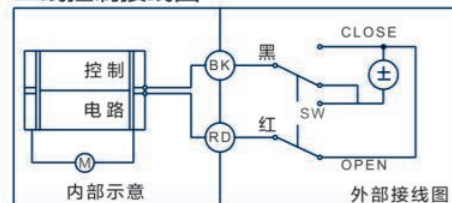
PPR热熔连接 PPR hot melting connecting



UPVC法兰连接 UPVC Flange connecting

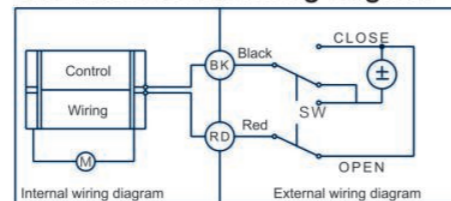


二线控制接线图



- 1、SW与OPEN短接，电动球阀打开，到位后并保持；
  - 2、SW与CLOSE短接，电动球阀关闭，到位后并保持；
- 适用于DC6V、DC12V、DC24V、DC36V球阀。SW为双联开关。

Two wires control wiring diagram



- 1、SW and OPEN connected, electric ball valve open, after putting in place and keep the same position.
  - 2、SW and CLOSE connected, electric ball valve close, after putting in place and keep the same position.
- Suitable for DC6V, DC12V, DC24V, DC36V ball valve. SW is two wire switch.

二线控制电动球阀 Two Wires Controlling Ball Valve

公称通径DN Nominal Diameter	连接方式 Connecting Type	型号 New Model	尺寸 Size				启闭时间 Open-close Time(s)	输入电压 Input Voltage		
			A	B	C	H/D(三通) H/D(Three-way)				
DN15	PPH内螺纹 PPH Female Thread Type Connecting	Q911713-15	111	G1/2	14	113	12.5	24V (6V、12V)		
		QQ911713-15					3			
	UPVC胶接 UPVC Glue Type Connecting	Q931713-15	123	φ20.2	20	113	12.5			
		QQ931713-15					3			
	PPR热熔 PPR Hot Melting Connecting	Q951713-15	121	φ19.2	19	113	12.5			
		QQ951713-15					3			
不锈钢内螺纹 SS Female Thread Type Connecting	Q911413-15	89	G1/2	18	101	12.5				
	QQ911413-15					3				
DN20	PPH内螺纹 PPH Female Thread Type Connecting	Q911713-20	119	G3/4	16	113	12.5		24V (6V、12V)	
		QQ911713-20					3			
	UPVC胶接 UPVC Glue Type Connecting	Q931713-20	123	φ25.2	20	113	12.5			
		QQ931713-20					3			
	PPR热熔 PPR Hot Melting Connecting	Q951713-20	121	φ24	19	113	12.5			
		QQ951713-20					3			
	不锈钢内螺纹 SS Female Thread Type Connecting	Q911413-20	89	G3/4	18	101	12.5			
		QQ911413-20					3			
	不锈钢卡箍 SS Clamp Type Connecting	Q981413-20	102	φ43.5	φ50.5	106.8	12.5			
QQ981413-20		3								
不锈钢法兰 SS Flange Type Connecting	Q941413-20	150	4×φ14	φ75	130.5	12.5				
	QQ941413-20					3				
DN25	PPO内螺纹 PPO Female Thread Type Connecting	Q911013-25	138	G1	20	128	12.5	24V (6V、12V)		
		QQ911013-25					3			
	UPVC胶接 UPVC Glue Type Connecting	Q931013-25	142	φ32.2	22	128	12.5			
		QQ931013-25					3			
	PPR热熔 PPR Hot Melting Connecting	Q951013-25	146	φ31	24	128	12.5			
		QQ951013-25					3			
	不锈钢内螺纹 SS Female Thread Type Connecting	Q911413-25	99	G1	20	115	12.5			
		QQ911413-25					3			
	不锈钢卡箍 SS Clamp Type Connecting	Q981413-25	116	φ43.5	φ50.5	119.3	12.5			
QQ981413-25		3								
不锈钢法兰 SS Flange Type Connecting	Q941413-25	160	4×φ14	φ85	143	12.5				
	QQ941413-25					3				
DN32	PPO内螺纹 PPO Female Thread Type Connecting	Q911013-32	167	G1 1/4	22	149	7.5		24V(12V)	
		QQ911013-32								3
	UPVC胶接 UPVC Glue Type Connecting	Q931013-32	174	φ40.2	26	149				12.5
		QQ931013-32								3
	不锈钢内螺纹 SS Female Thread Type Connecting	Q911413-32	120	G1 1/4	20	136				12.5
QQ911413-32		3								
不锈钢卡箍 SS Clamp Type Connecting	Q981413-32	136	φ43.5	φ50.5	149.2	12.5				
	QQ981413-32					3				
不锈钢法兰 SS Flange Type Connecting	Q941413-32	180	4×φ18	φ100	170	12.5				
	QQ941413-32					3				

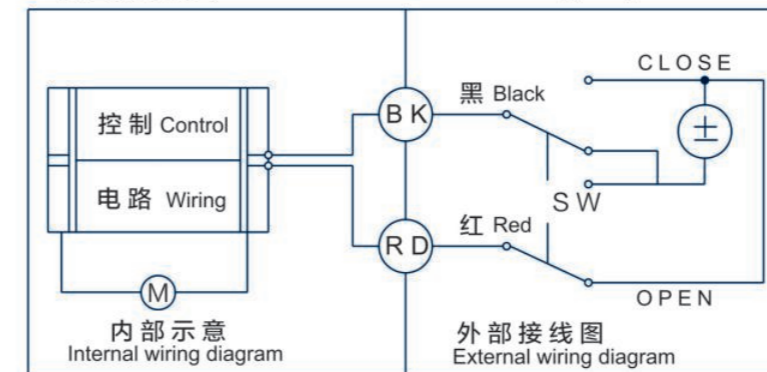
二线控制电动球阀 Two Wires Controlling Ball Valve								
公称口径DN Nominal Diameter	连接方式 Connecting Type	型号 New Model	尺寸 Size				启闭时间 Open-close Time (s)	输入电压 Input Voltage
			A	B	C	H/D(三通) H/D(Three-way)		
DN 40	PPO 内螺纹 PPO Female Thread Type Connecting	Q911013 -40	182	G1 1/2	24	163	7.5	24V(12V)
	UPVC 胶接 UPVC Glue Type Connecting	Q931013 -40	196	φ50.2	31	163		
	不锈钢内螺纹 SS Female Thread Type Connecting	Q911413 -40	128	G1 1/2	23	146		
	不锈钢卡箍 SS Clamp Type Connecting	Q981413 -40	160	φ56.5	φ64	159.1		
	不锈钢法兰 SS Flange Type Connecting	Q941413 -40	200	4×φ18	φ110	180		
DN 50	PPO 内螺纹 PPO Female Thread Type Connecting	Q911013 -50	212	G2	25	200	7.5	24V
	UPVC 胶接 UPVC Glue Type Connecting	Q931013 -50	237	φ63.2	38	200		
	不锈钢内螺纹 SS Female Thread Type Connecting	Q911413 -50	155	G2	26	181		
	不锈钢卡箍 SS Clamp Type Connecting	Q981413 -50	190	φ70.5	φ77.5	194.2		
	不锈钢法兰 SS Flange Type Connecting	Q941413 -50	230	4×φ18	φ125	217		
DN 65	UPVC 胶接 UPVC Glue Type Connecting	Q931513 D-65	202	φ75.4	44	273.5	15	24V
	UPVC 法兰 UPVC Flange Type Connecting	Q941513 D-65	285	4×φ18	φ145	301		
	不锈钢内螺纹 SS Female Thread Type Connecting	Q911413 D-65	196	G2 1/2	29	260		
	不锈钢法兰 SS Flange Type Connecting	Q941413 D-65	290	4×φ18	φ145	291		
DN 80	UPVC 胶接 UPVC Glue Type Connecting	Q931513 D-80	232	φ90.5	51	303.5	15	24V
	UPVC 法兰 UPVC Flange Type Connecting	Q941513 D-80	305	8×φ18	φ160	321		
	不锈钢内螺纹 SS Female Thread Type Connecting	Q911413 D-80	216	G3	32	275.5		
	不锈钢法兰 SS Flange Type Connecting	Q941413 D-80	310	8×φ18	φ160	305.5		

备注:塑料球阀阀体为PPH、PPO或“UPVC”材料,手动金属球阀阀体为不锈钢316L材质,采用浮动球直通结构;  
塑料阀体:工作温度0-60℃,工作压力0-1MPa,EPDM和FKM橡胶密封材质可选;  
金属阀体:工作温度0-120℃,工作压力0-1.6MPa,EPDM和FKM橡胶密封材质可选,其中FKM橡胶密封材质工作温度0-200℃;  
括号内的参数为可选型,订货提前说明;DN15-DN25球阀有3秒快速电机可选。

Remark: Plastic manual ball valve, the valve body material is PPH,PPO or UPVC; Metal manual ball valve, the valve body material is 316L stainless steel;  
Ball valve adopt the floating ball straight passway structure.  
Plastic ball valve :Working temperature: 0-60℃;Working pressure:0-1MPa; Sealing rubber material: EPDM, FKM optional  
Metal ball valve :Working temperature: 0-120℃;Working pressure:0-1.6MPa; Sealing rubber material: EPDM, FKM optional (FKM working temperature can reach 0-200℃  
The parameter outside of brace is for the standard matching, the inside is for optional. Please describe your requested parameter in your order.  
DN15-DV25 ball valve has fast motor (3 seconds open-close for optional)

## 二线控制电动三通球阀 Two Wires Three-way Ball Valve

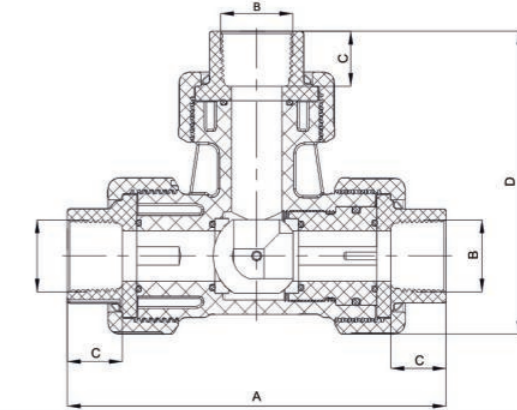
二线控制接线图 Two wires control wiring diagram



1、SW与OPEN短接,电动球阀打开,到位后并保持;  
2、SW与CLOSE短接,电动球阀关闭,到位后并保持;  
适用于DC6V、DC12V、DC24V、DC36V球阀。SW为双联开关。

1、SW and OPEN connected, electric ball valve open, after putting in place and keep the same position.  
2、SW and CLOSE connected, electric ball valve close, after putting in place and keep the same position.

Suitable for DC6V, DC12V, DC24V, DC36V ball valve. SW is two wire switch.



两线三通球阀 Two-wires Controlling Three-way Ball Valve								
公称口径DN Nominal Diameter	连接方式 Connecting Type	型号 New Model	尺寸 Size				启闭时间 Open-close Time	输入电压 Input Voltage
			A	B	C	D		
DN25	PPO 内螺纹 PPO Thread Type Connecting	Q914013-25	172	G1	22	138	7.5	24V(12V)
	UPVC 胶接 UPVC Glue Type Connecting	Q934013-25	174	φ32.2	26	139		
DN32	PPO 内螺纹 PPO Thread Type Connecting	Q914013-32	166	G1 1/4	22	134.5		
	UPVC 胶接 UPVC Glue Type Connecting	Q934013-32	174	φ40.2	26	139		
DN40	PPO 内螺纹 PPO Thread Type Connecting	Q914013-40	182	G1 1/2	24	159		
	UPVC 胶接 UPVC Glue Type Connecting	Q934013-40	196	φ50.2	31	166		
DN50	PPO 内螺纹 PPO Thread Type Connecting	Q914013-50	212	G2	25	182.5		24V
	UPVC 胶接 UPVC Glue Type Connecting	Q934013-50	237	φ63.2	38	198.5		

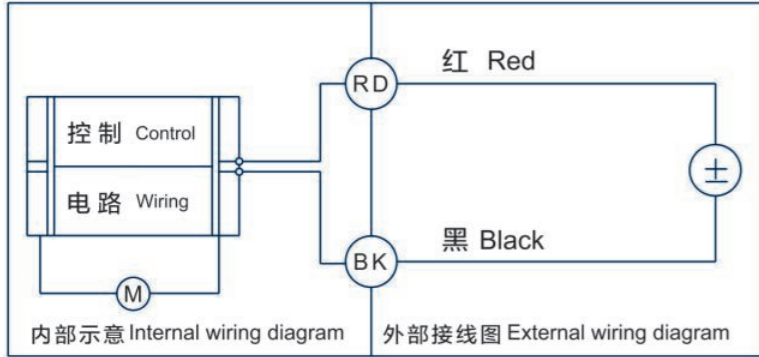
备注:阀体为PPO材料,采用浮动球“L”形三通结构;工作温度0-60℃,工作压力0-1MPa,EPDM和FKM橡胶密封材质可选。  
Remark: The valve body material is PPO; It adopts the floating ball with L shape three-way structure. Working temperature: 0-60℃;  
Working pressure:0-1MPa; Sealing rubber material: EPDM, FKM optional

# 可设定启闭时间段球阀

## Duration Time Control Ball Valve

可设定启闭时间段-接线图

Control wiring diagram-ball valve that can set opening and closing duration time



1. 在设定开的时间段, 电动球阀打开;

2. 在设定关的时间段, 电动球阀关闭;

适用于DC12V或DC24V球阀。

时间段控制/可设定范围: 1分钟~999小时59分和15秒~999分钟59秒

两种时间范围, 球阀按照设定的时长周期循环执行开和关。

1. At opening duration time, electric ball valve open.

2. At closing duration time, electric ball valve close

Suitable for DC12V or DC24V ball valve.

Two modes of time range: 000:01 ~ 999:59 (hour: minute) and

000:15 ~ 999:59 (minute: second).



可设定启闭时间段球阀 Duration Time Control Ball Valve								
公称口径DN Nominal Diameter	连接方式 ConnectingType	型号 NewModel	尺寸 Size				启闭时间/秒 Open-close Time(s)	输入电压 Input Voltage
			A	B	C	H/D(三通) H/D(Three-way)		
DN15	PPH内螺纹 PPH FemaleThread TypeConnecting	Q911713A-15	111	G1/2	14	144	12.5	24V (12V )
		QQ911713A-15					3	
	UPVC胶接 UPVC GlueType Connecting	Q931713A-15	123	φ20.2	20	144	12.5	
		QQ931713A-15					3	
	PPR热熔 PPR Hot Melting Connecting	Q951713A-15	121	aaaa	19	144	12.5	
		QQ951713A-15					3	
不锈钢内螺纹 SS FemaleThread TypeConnecting	Q911413A-15	89	G1/2	18	1325	12.5		
	QQ911413A-15					3		
DN20	PPH内螺纹 PPH FemaleThread TypeConnecting	Q911713A-20	119	G3/4	16	144	12.5	24V (12V )
		QQ911713A-20					3	
	UPVC胶接 UPVC GlueType Connecting	Q931713A-20	123	φ25.2	20	144	12.5	
		QQ931713A-20					3	
	PPR热熔 PPR Hot Melting Connecting	Q951713A-20	121	φ24	19	144	12.5	
		QQ951713A-20					3	
	不锈钢内螺纹 SS FemaleThread TypeConnecting	Q911413A-20	89	G3/4	18	1325	12.5	
		QQ911413A-20					3	
	不锈钢卡箍 SS ClampType Connecting	Q981413A-20	102	φ43.5	φ50.5	1325	12.5	
		QQ981413A-20					3	
	不锈钢法兰 SS FlangeType Connecting	Q941413A-20	150	4×φ14	φ75	1615	12.5	
		QQ941413A-20					3	

可设定启闭时间段球阀 Duration Time Control Ball Valve									
公称口径DN Nominal Diameter	连接方式 ConnectingType	型号 NewModel	尺寸 Size				启闭时间/秒 Open-close Time(s)	输入电压 Input Voltage	
			A	B	C	H/D(三通) H/D(Three-way)			
DN25	PPO内螺纹 PPO FemaleThread TypeConnecting	Q911013A-25	138	G1	20	1595	12.5	24V (12V )	
		QQ911013A-25					3		
	UPVC胶接 UPVC GlueType Connecting	Q931013A-25	142	φ32.2	22	1595	12.5		
		QQ931013A-25					3		
	PPR热熔 PPR Hot Melting Connecting	Q951013A-25	146	φ31	24	1595	12.5		
		QQ951013A-25					3		
	不锈钢内螺纹 SS FemaleThread TypeConnecting	Q911413A-25	99	G1	20	147	12.5		
		QQ911413A-25					3		
不锈钢卡箍 SS ClampType Connecting	Q981413A-25	116	φ43.5	φ50.5	147	12.5			
	QQ981413A-25					3			
不锈钢法兰 SS FlangeType Connecting	Q941413A-25	160	4×φ14	φ85	1765	12.5			
	QQ941413A-25					3			
DN32	PPO内螺纹 PPO FemaleThread TypeConnecting	Q911013A-32	167	G1 1/4	22	1845	7.5	24V (12V )	
		QQ911013A-32							12.5
	UPVC胶接 UPVC GlueType Connecting	Q931013A-32	174	φ40.2	26	1845			12.5
		QQ931013A-32							3
	不锈钢内螺纹 SS FemaleThread TypeConnecting	Q911413A-32	120	G1 1/4	20	1715			12.5
		QQ911413A-32							3
不锈钢卡箍 SS ClampType Connecting	Q981413A-32	136	φ43.5	φ50.5	1715	12.5			
	QQ981413A-32					3			
不锈钢法兰 SS FlangeType Connecting	Q941413A-32	180	4×φ18	φ100	2055	12.5			
	QQ941413A-32					3			
DN40	PPO内螺纹 PPO FemaleThread TypeConnecting	Q911013A-40	182	G1 1/2	24	1985	7.5	24V (12V )	
		QQ911013A-40							12.5
	UPVC胶接 UPVC GlueType Connecting	Q931013A-40	196	φ50.2	31	1985			12.5
		QQ931013A-40							3
不锈钢内螺纹 SS FemaleThread TypeConnecting	Q911413A-40	128	G1 1/2	23	1815	12.5			
	QQ911413A-40					3			
不锈钢卡箍 SS ClampType Connecting	Q981413A-40	160	φ56.5	φ64	1815	12.5			
	QQ981413A-40					3			
DN40	不锈钢法兰 SS FlangeType Connecting	Q941413A-40	200	4×φ18	φ110	2155	7.5	24V (12V )	
		QQ941413A-40							3
DN50	PPO内螺纹 PPO FemaleThread TypeConnecting	Q911013A-50	212	G2	25	235	7.5	24V	
		QQ911013A-50							12.5
	UPVC胶接 UPVC GlueType Connecting	Q931013A-50	237	φ63.2	38	235			12.5
		QQ931013A-50							3
	不锈钢内螺纹 SS FemaleThread TypeConnecting	Q911413A-50	155	G2	26	2165			12.5
		QQ911413A-50							3
不锈钢卡箍 SS ClampType Connecting	Q981413A-50	190	φ70.5	φ77.5	2165	12.5			
	QQ981413A-50					3			
不锈钢法兰 SS FlangeType Connecting	Q941413A-50	230	4×φ18	φ125	2525	12.5			
	QQ941413A-50					3			
DN25三通 DN25Three way	PPO内螺纹 PPO FemaleThread TypeConnecting	Q914013 A-25	172	G1	22	1845 (H )	7.5	24V (12V )	
		QQ914013 A-25							12.5
DN25三通 DN25Three way	UPVC胶接 UPVC GlueType Connecting	Q934013 A-25	174	φ32.2	26	1845 (H )	7.5	24V (12V )	
		QQ934013 A-25							12.5
DN32三通 DN32Three way	PPO内螺纹 PPO FemaleThread TypeConnecting	Q914013 A-32	166	G1 1/4	22	1845 (H )	7.5	24V (12V )	
		QQ914013 A-32							12.5
DN32三通 DN32Three way	UPVC胶接 UPVC GlueType Connecting	Q934013 A-32	174	φ40.2	26	1845 (H )	7.5	24V (12V )	
		QQ934013 A-32							12.5

可设定启闭时间段球阀 Duration Time Control Ball Valve								
公称通径DN Nominal Diameter	连接方式 Connecting Type	型号 New Model	尺寸 Size				启闭时间/秒 Open-close Time(s)	输入电压 Input Voltage
			A	B	C	H/D(三通) H/D(Three-way)		
DN40三通 DN40ThreeWay	PPO内螺纹 PPO Female Thread Type Connecting	Q914013 A-40	182	G1 1/2	24	198.5 (H)	7.5	24V (12V)
	UPVC胶接 UPVC Glue Type Connecting	Q934013 A-40	196	φ50.2	31	198.5 (H)		
DN50三通 DN50ThreeWay	PPO内螺纹 PPO Female Thread Type Connecting	Q914013 A-50	212	G2	25	235 (H)	7.5	24V
	UPVC胶接 UPVC Glue Type Connecting	Q934013 A-50	237	φ63.2	38	235 (H)		

备注:A代表可设定启闭时长的独立控制球阀;

塑料球阀阀体为PPH、PPO或"UPVC"材料,金属阀体为不锈钢316L材质,采用浮动球直通结构;工作温度0-60℃,工作压力0-1MPa, EPDM和FKM橡胶密封材质可选;金属阀体为不锈钢316材质,工作温度0-120℃,工作压力0-1.6MPa, EPDM和FKM橡胶密封材质可选,其中FKM橡胶密封材质工作温度0-200℃;括号内的参数为可选型,订货提前说明。

三通球阀为塑料阀体,采用浮动球"L"形三通结构;

Remark: A means the duration time control ball valve:

Plastic manual ball valve, the valve body material is PPH,PPO or UPVC; Metal manual ball valve, the valve body material is 316L stainless steel; Ball valve adopt the floating ball straight passway structure.

Plastic ball valve :Working temperature: 0-60℃;Working pressure:0-1MPa; Sealing rubber material: EPDM, FKM optional

Metal ball valve :Working temperature: 0-120℃;Working pressure:0-1.6MPa; Sealing rubber material: EPDM, FKM optional (FKM working temperature can reach 0-200℃)The parameter outside of brace is for the standard matching, the inside is for optional. Please describe your requested parameter in your order.

The three-way ball valve material is PPO, and it adopts the floating ball with L shape three-way structure.

可设定启闭时间点球阀 Point in Time Control Ball Valve								
公称通径DN Nominal	连接方式 Connecting Type	型号 New Model	尺寸 Size				启闭时间秒 Open-close	输入电压 Input Voltage
			A	B	C	H		
DN15	PPH内螺纹 PPH Female Thread Type Connecting	QQ911713A1-15	111	G1/2	14	144	3	24V (12V)
	UPVC胶接 UPVC Glue Type Connecting	QQ931713A1-15	123	φ20.2	20	144		
	PPR热熔 PPR Hot Melting Connecting	QQ951713A1-15	121	φ19.2	19	144		
	不锈钢内螺纹 SS Female Thread Type Connecting	QQ911413A1-15	89	G1/2	18	132.5		
DN20	PPH内螺纹 PPH Female Thread Type Connecting	QQ911713A1-20	119	G3/4	16	144	3	24V (12V)
	UPVC胶接 UPVC Glue Type Connecting	QQ931713A1-20	123	φ25.2	20	144		
	PPR热熔 PPR Hot Melting Connecting	QQ951713A1-20	121	φ24	19	144		
	不锈钢内螺纹 SS Female Thread Type Connecting	QQ911413A1-20	89	G3/4	18	132.5		
	不锈钢卡箍 SS Clamp Type Connecting	QQ981413A1-20	102	φ43.5	φ50.5	132.5		
	不锈钢法兰 SS Flange Type	QQ941413A1-20	150	4×φ14	φ75	161.5		
DN25	PPO内螺纹 PPO Female Thread Type Connecting	QQ911013A1-25	138	G1	20	159.5	3	24V (12V)
	UPVC胶接 UPVC Glue Type Connecting	QQ931013A1-25	142	φ32.2	22	159.5		
	PPR热熔 PPR Hot Melting Connecting	QQ951013A1-25	146	φ31	24	159.5		
	不锈钢内螺纹 SS Female Thread Type Connecting	QQ911413A1-25	99	G1	20	147		
	不锈钢卡箍 SS Clamp Type Connecting	QQ981413A1-25	116	φ43.5	φ50.5	147		
	不锈钢法兰 SS Flange Type Connecting	QQ941413A1-25	160	4×φ14	φ85	176.5		

备注:A1代表可设定时间点启闭的独立控制;

塑料球阀阀体为PPH、PPO或"UPVC"材料,金属球阀阀体为316L不锈钢材质,采用浮动球直通结构;

塑料阀体:工作温度0-60℃,工作压力0-1MPa, EPDM和FKM橡胶密封材质可选;金属阀体:工作温度0-120℃,工作压力0-1.6MPa, EPDM和FKM橡胶密封材质可选,其中FKM橡胶密封材质工作温度0-200℃。

Remark: A1 means the point in time control ball valve:

Plastic manual ball valve, the valve body material is PPH,PPO or UPVC; Metal manual ball valve, the valve body material is 316L stainless steel;

Ball valve adopt the floating ball straight passway structure. Plastic ball valve :Working temperature: 0-60℃;Working pressure:0-1MPa;

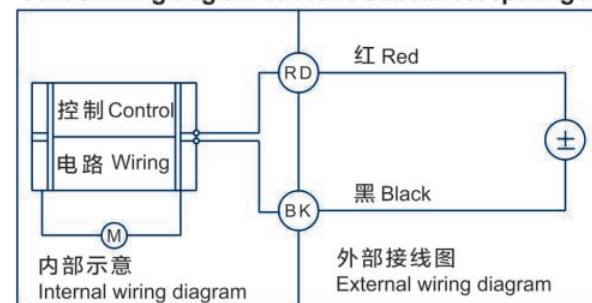
Sealing rubber material: EPDM, FKM optional

Metal ball valve :Working temperature: 0-120℃;Working pressure:0-1.6MPa; Sealing rubber material: EPDM, FKM optional (FKM working temperature can reach 0-200℃)

## 可设定启闭时间点球阀 Point in Time Control Ball Valve

可设定启闭时间点-接线图

Control wiring diagram-ball valve that can set opening and closing time



1、可对星期一至星期日的每一天在不同时间点设置球阀的开/关,每天最多可设置5组开和关时间点。当天开关次数设为"0"时,当天全天的开关状态保持前一天最后一天的开关状态。

2、适用于DC12V或DC24V球阀。

1.Can be controlled individually by setting open- close point-in-time from Monday to Sunday. If the number of switch is set to"0", then switch state will keep the same as last time the day before.

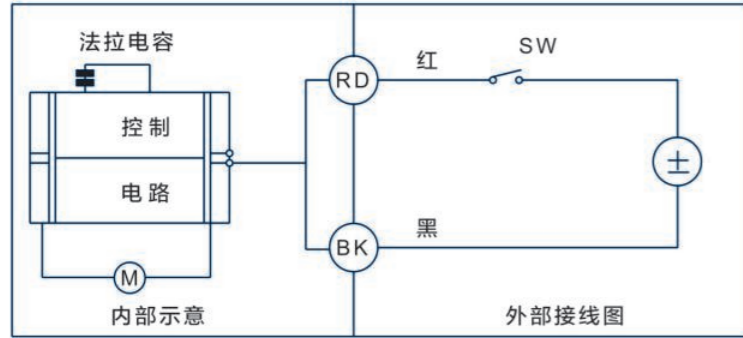
2.Suitable for DC12V or DC24V ball valve.



# 二线断电复位球阀

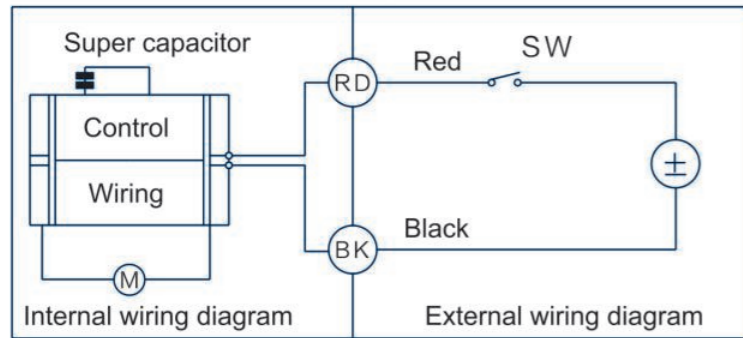
## Two Wires Power Reset Ball Valve

二线断电复位-接线图



- 1、SW闭合，电动球阀打开，到位后并保持；
  - 2、SW断开，电动球阀关闭，到位后并保持；
- 适用于DC9~24V球阀。  
 二线断电复位:采用法拉电容原理，功能相当于电磁阀，常开或常闭，断电自动复位。  
 断电复位后再次通电时间不少于15分钟，不宜频繁启闭。

Power reset control wiring diagram



- 1、SW connected, electric ball valve open, after putting in place and keep the same position.
  - 2、SW disconnected, electric ball valve close, after putting in place and keep the same position.
- Suitable for DC9~24V ball valve.

Two wires power reset: adopt the principle of farad capacitor. The function is equivalent to a solenoid valve, normally open or normally closed, and automatically reset after power failure. After power-off reset, the power-on time shall not be less than 15 minutes, and the opening and closing should not be frequent



二线断电复位球阀 Two Wires Power Reset Ball Valve

公称通径DN Nominal	连接方式 Connecting Type	型号 New Model	尺寸 Size				启闭时间/秒 Open-close	输入电压 Input Voltage	
			A	B	C	H			
DN15	PPH内螺纹 PPH Female Thread Type Connecting	Q911712B-15 QQ911712B-15	111	G1/2	14	144	12.5 3	9-24V	
	UPVC胶接 UPVC Glue Type Connecting	Q931712B-15 QQ931712B-15	123	φ20.2	20	144	12.5 3		
	PPR热熔 PPR Hot Melting Connecting	Q951712B-15 QQ951712B-15	121	φ19.2	19	144	12.5 3		
	不锈钢内螺纹 SS Female Thread Type Connecting	Q911412B-15 QQ911412B-15	89	G1/2	18	1325	12.5 3		
DN20	PPH内螺纹 PPH Female Thread Type Connecting	Q911712B-20 QQ911712B-20	119	G3/4	16	144	12.5 3	9-24V	
	UPVC胶接 UPVC Glue Type Connecting	Q931712B-20 QQ931712B-20	123	φ25.2	20	144	12.5 3		
	PPR热熔 PPR Hot Melting Connecting	Q951712B-20 QQ951712B-20	121	φ24	19	144	12.5 3		
	不锈钢内螺纹 SS Female Thread Type Connecting	Q911412B-20 QQ911412B-20	89	G3/4	18	1325	12.5 3		
	不锈钢卡箍 SS Clamp Type Connecting	Q981412B-20 QQ981412B-20	102	φ43.5	φ50.5	1325	12.5 3		
	不锈钢法兰 SS Flange Type Connecting	Q941412B-20 QQ941412B-20	150	4×φ14	φ75	1615	12.5 3		
DN25	PPO内螺纹 PPO Female Thread Type Connecting	Q911012B-25 QQ911012B-25	138	G1	20	1595	12.5 3	9-24V	
	UPVC胶接 UPVC Glue Type Connecting	Q931012B-25 QQ931012B-25	142	φ32.2	22	1595	12.5 3		
	PPR热熔 PPR Hot Melting Connecting	Q951012B-25 QQ951012B-25	146	φ31	24	1595	12.5 3		
	不锈钢内螺纹 SS Female Thread Type Connecting	Q911412B-25 QQ911412B-25	99	G1	20	147	12.5 3		
	不锈钢卡箍 SS Clamp Type Connecting	Q981412B-25 QQ981412B-25	116	φ43.5	φ50.5	147	12.5 3		
	不锈钢法兰 SS Flange Type Connecting	Q941412B-25 QQ941412B-25	160	4×φ14	φ85	1765	12.5 3		

备注:B代表断电复位;  
 启闭时间为3秒的断电复位球阀,工作压力不大于0.8MPa  
 塑料球阀阀体为PPH、PPO或"UPVC"材料,金属球阀阀体为316L不锈钢材质,采用浮动球直通结构;  
 塑料阀体:工作温度0~60℃,工作压力0~1MPa,EPDM和FKM橡胶密封材质可选;  
 金属阀体:工作温度0~120℃,工作压力0~1.6MPa,EPDM和FKM橡胶密封材质可选,其中FKM橡胶密封材质工作温度0~200℃。

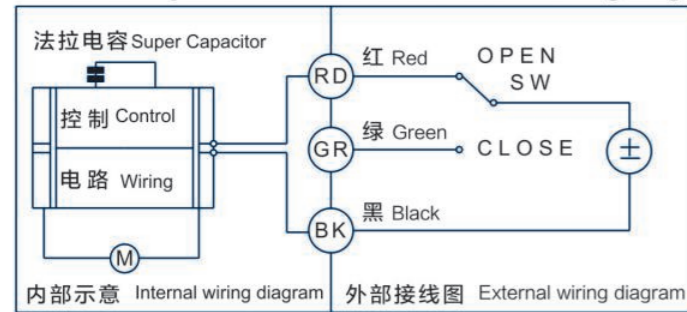
Remark: B means the power rest ball valve;  
 The power rest ball valve with 3 seconds open-close, the working pressure should less than 0.8Mpa  
 Plastic manual ball valve, the valve body material is PPH,PPO or UPVC; Metal manual ball valve, the valve body material is 316L stainless steel;  
 Ball valve adopt the floating ball straight passway structure.  
 Plastic ball valve :Working temperature: 0~60℃;Working pressure:0~1MPa; Sealing rubber material: EPDM, FKM optiona  
 Metal ball valve :Working temperature: 0~120℃;Working pressure:0~1.6MPa; Sealing rubber material: EPDM, FKM optiona (FKM working temperature can reach 0-200℃

# 三线断电复位球阀

## Three Wires Power Reset Ball Valve

三线断电复位-接线图

Three wires power reset ball valve control wiring diagram



- 1、SW与红线相连, 电动球阀打开, 到位后并保持;
  - 2、SW与绿线相连, 电动球阀关闭, 到位后并保持;
- 适用于DC12V、DC24V球阀。

三线断电复位:控制线为三芯线, 同三线控制。正常工作时, 法拉电容充电待用, 外部发生停/断电时, 电容放电使球阀自动复位。

- 1、SW and the red wire connected, electric ball valve open, after putting in place and keep the same position.
  - 2、SW and the green wire connected, electric ball valve close, after putting in place and keep the same position.
- Suitable for DC12V, DC24V ball valve.

Three wires power rest ball valve: three wires controlling, the same as three wires controlling ball valve. In the normal situation, the super capacitor is charged and standby. When power off, the super capacitor provide the power to ball valve to reset.



三线断电复位球阀 Three Wires Power Reset Ball Valve								
公称通径DN Nominal	连接方式 Connecting Type	型号 NewModel	尺寸 Size				启闭时间/秒 Open-close	输入电压 InputVoltage
			A	B	C	H		
DN15	PPH内螺纹 PPH FemaleThread TypeConnecting	Q911712 B1-15	111	G1/2	14	144	12.5	12-24V
		QQ911712 B1-15					3	
	UPVC胶接 UPVC GlueType Connecting	Q931712 B1-15	123	φ20.2	20	144	12.5	
		QQ931712 B1-15					3	
	PPR热熔 PPR Hot Melting Connecting	Q951712 B1-15	121	φ19.2	19	144	12.5	
		QQ951712 B1-15					3	
不锈钢内螺纹 SS FemaleThread TypeConnecting	Q911412 B1-20	89	G1/2	18	1325	12.5		
	QQ911412 B1-20					3		
DN20	PPH内螺纹 PPH FemaleThread TypeConnecting	Q911712 B1-20	119	G3/4	16	144	12.5	12-24V
		QQ911712 B1-20					3	
	UPVC胶接 UPVC GlueType Connecting	Q931712 B1-20	123	φ25.2	20	144	12.5	
		QQ931712 B1-20					3	
	PPR热熔 PPR Hot Melting Connecting	Q951712 B1-20	121	φ24	19	144	12.5	
		QQ951712 B1-20					3	
	不锈钢内螺纹 SS FemaleThread TypeConnecting	Q911412 B1-20	89	G3/4	18	1325	12.5	
		QQ911412 B1-20					3	
	不锈钢卡箍 SS ClampType Connecting	Q981412 B1-20	102	φ43.5	φ50.5	1325	12.5	
		QQ981412 B1-20					3	
不锈钢法兰 SS FlangeType Connecting	Q941412 B1-20	150	4×φ14	φ75	1615	12.5		
	QQ941412 B1-20					3		
DN25	PPO内螺纹 PPO FemaleThread TypeConnecting	Q911012 B1-25	138	G1	20	1595	12.5	12-24V
		QQ911012 B1-25					3	
	UPVC胶接 UPVC GlueType Connecting	Q931012 B1-25	142	φ32.2	22	1595	12.5	
		QQ931012 B1-25					3	
	PPR热熔 PPR Hot Melting Connecting	Q951012 B1-25	146	φ31	24	1595	12.5	
		QQ951012 B1-25					3	

## 三线断电复位球阀 Three Wires Power Reset Ball Valve

公称通径DN Nominal	连接方式 Connecting Type	型号 NewModel	尺寸 Size				启闭时间/秒 Open-close	输入电压 InputVoltage
			A	B	C	H		
	不锈钢内螺纹 SS FemaleThread TypeConnecting	Q911412 B1-25	99	G1	20	147	12.5	
		QQ911412 B1-25					3	
	不锈钢卡箍 SS ClampType Connecting	Q981412 B1-25	116	φ43.5	φ50.5	147	12.5	
		QQ981412 B1-25					3	
	不锈钢法兰 SS FlangeType Connecting	Q941412 B1-25	160	4×φ14	φ85	1765	12.5	
		QQ941412 B1-25					3	

备注:B1代表三线断电复位;启闭时间为3秒的断电复位球阀, 工作电压不大于0.8MPa

手动塑料球阀阀体为PPH、PPO或"UPVC"材料, 采用浮动球直通结构;

手动金属球阀阀体为316L不锈钢材质。塑料阀体: 工作温度0-60℃, 工作压力0-1MPa, EPDM和FKM橡胶密封材质可选; 金属阀体: 工作温度0-120℃, 工作压力0-1.6MPa, EPDM和FKM橡胶密封材质可选, 其中FKM橡胶密封材质工作温度0-200℃。

Remark: B1 means the three wires power rest ball valve;The power rest ball valve with 3 seconds open-close, the working pressure should less than 0.8Mpa

Plastic manual ball valve, the valve body material is PPH,PPO or UPVC; Metal manual ball valve, the valve body material is 316L stainless steel;

Ball valve adopt the floating ball straight passway structure.

Plastic ball valve :Working temperature: 0-60℃;Working pressure:0-1MPa; Sealing rubber material: EPDM, FKM optional

Metal ball valve :Working temperature: 0-120℃;Working pressure:0-1.6MPa; Sealing rubber material: EPDM, FKM optiona (FKM working temperature can reach 0-200℃

# 三线控制球阀(DC)

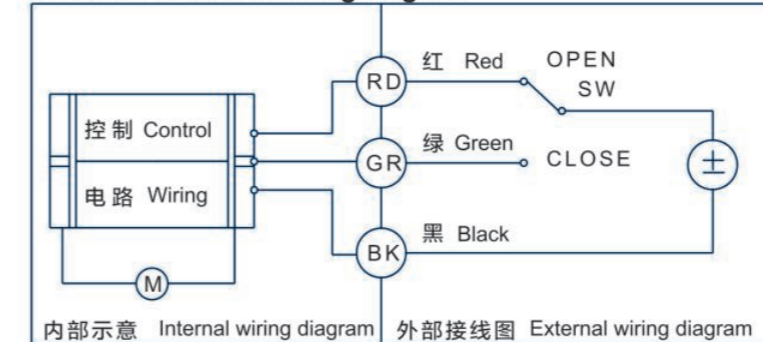
## Three Wires Controlling Ball Valve (DC)

电源线为三芯线, 其中一芯与公共线通时为开, 另一芯线与公共线通时为关

Three wires as controlling wire. When one wire connect with public wire, the ball valve open; when another wire connect with public wire, the ball valve close.

三线控制-接线图

Three wires control wiring diagram



- 1、SW与红线相连, 电动球阀打开, 到位后并保持;
  - 2、SW与绿线相连, 电动球阀关闭, 到位后并保持;
- 适用于DC12V、DC24V球阀。

- 1、SW and the red wire connected, electric ball valve open, after putting in place and keep the same position.
  - 2、SW and the green wire connected, electric ball valve close, after putting in place and keep the same position.
- Suitable for DC12V, DC24V ball valve.



## 三线控制(DC)球阀 Three Wires Controlling Ball Valve (DC)

公称通径DN Nominal Diameter	连接方式 ConnectingType	型号 New Model	尺寸 Size				启闭时间/秒 Open-close Time/s	输入电压 Input Voltage
			A	B	C	H/D(三通) H/D(Three-way)		
DN15	PPH内螺纹 PPH Female Thread Type Connecting	Q911713 C-15	111	G1/2	14	144	12.5	24V (6V、12V)
		QQ911713 C-15					3	
	UPVC胶接 UPVC GlueType Connecting	Q931713 C-15	123	φ20.2	20	144	12.5	
		QQ931713 C-15					3	
	PPR热熔 PPR Hot Melting Connecting	Q951713 C-15	121	φ19.2	19	144	12.5	
		QQ951713 C-15					3	
不锈钢内螺纹 SS FemaleThread TypeConnecting	Q911413 C-15	89	G1/2	18	1325	12.5		
	QQ911413 C-15					3		

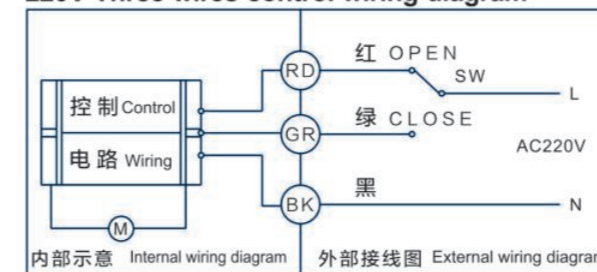
三线控制(DC)球阀 Three Wires Controlling Ball Valve (DC)								
公称口径 DN Nominal Diameter	连接方式 Connecting Type	型号 New Model	尺寸 Size				启闭时间/秒 Open-close Time/s	输入电压 Input Voltage
			A	B	C	H/D(三通) H/D(Three-way)		
DN20	PPH内螺纹 PPH Female Thread Type Connecting	Q911713C-20	119	G3/4	16	144	12.5	24V ( 6V、12V )
		QQ911713C-20					3	
	UPVC胶接 UPVC Glue Type Connecting	Q931713C-20	123	φ25.2	20	144	12.5	
		QQ931713C-20					3	
	PPR热熔 PPR Hot Melting Connecting	Q951713C-20	121	φ24	19	144	12.5	
		QQ951713C-20					3	
	不锈钢内螺纹 SS Female Thread Type Connecting	Q911413C-20	89	G3/4	18	1325	12.5	
		QQ911413C-20					3	
	不锈钢卡箍 SS Clamp Type Connecting	Q981413C-20	102	φ43.5	φ50.5	1325	12.5	
		QQ981413C-20					3	
不锈钢法兰 SS Flange Type Connecting	Q941413C-20	150	4×φ14	φ75	1615	12.5		
	QQ941413C-20					3		
DN25	PPO内螺纹 PPO Female Thread Type Connecting	Q911013C-25	138	G1	20	1595	12.5	24V ( 6V、12V )
		QQ911013C-25					3	
	UPVC胶接 UPVC Glue Type Connecting	Q931013C-25	142	φ32.2	22	1595	12.5	
		QQ931013C-25					3	
	PPR热熔 PPR Hot Melting Connecting	Q951013C-25	146	φ31	24	1595	12.5	
		QQ951013C-25					3	
	不锈钢内螺纹 SS Female Thread Type Connecting	Q911413C-25	99	G1	20	147	12.5	
		QQ911413C-25					3	
	不锈钢卡箍 SS Clamp Type Connecting	Q981413C-25	116	φ43.5	φ50.5	147	12.5	
		QQ981413C-25					3	
不锈钢法兰 SS Flange Type Connecting	Q941413C-25	160	4×φ14	φ85	1765	12.5		
	QQ941413C-25					3		
DN32	PPO内螺纹 PPO Female Thread Type Connecting	Q911013C-32	167	G1 1/4	22	1845	7.5	24V ( 12V )
		UPVC胶接 UPVC Glue Type Connecting						
	不锈钢内螺纹 SS Female Thread Type Connecting	Q911413C-32	120	G1 1/4	20	1715		
		不锈钢卡箍 SS Clamp Type Connecting						
	不锈钢法兰 SS Flange Type Connecting	Q941413C-32	180	4×φ18	φ100	2055		
	DN40	PPO内螺纹 PPO Female Thread Type Connecting	Q911013C-40	182	G1 1/2	24		
UPVC胶接 UPVC Glue Type Connecting			Q931013C-40				196	φ50.2
不锈钢内螺纹 SS Female Thread Type Connecting		Q911413C-40	125	G1 1/2	23	1815		
		不锈钢卡箍 SS Clamp Type Connecting					Q981413C-40	160
不锈钢法兰 SS Flange Type Connecting		Q941413C-40	200	4×φ18	φ110	2155		
DN50	PPO内螺纹 PPO Female Thread Type Connecting	Q911013C-50	212	G2	25	235	7.5	24V
		UPVC胶接 UPVC Glue Type Connecting						

三线控制(DC)球阀 Three Wires Controlling Ball Valve (DC)								
公称口径 DN Nominal Diameter	连接方式 Connecting Type	型号 New Model	尺寸 Size				启闭时间/秒 Open-close Time/s	输入电压 Input Voltage
			A	B	C	H/D(三通) H/D(Three-way)		
DN50	不锈钢内螺纹 SS Female Thread Type Connecting	Q911413C-50	155	G2	26	2165	7.5	24V
		不锈钢卡箍 SS Clamp Type Connecting	Q981413C-50	190	φ70.5	φ77.5		
	不锈钢法兰 SS Flange Type Connecting	Q941413C-50	230	4×φ18	φ125	2525		
DN25三通 DN25 Three-way	PPO内螺纹 PPO Female Thread Type Connecting	Q914013C-25	172	G1	22	138	7.5	24V ( 12V )
		UPVC胶接 UPVC Glue Type Connecting	Q934013C-25	174	φ32.2	26		
DN32三通 DN32 Three-way	PPO内螺纹 PPO Female Thread Type Connecting	Q914013C-32	166	G1 1/4	22	1345	7.5	24V ( 12V )
		UPVC胶接 UPVC Glue Type Connecting	Q934013C-32	174	φ40.2	26		
DN40三通 DN40 Three-way	PPO内螺纹 PPO Female Thread Type Connecting	Q914013C-40	182	G1 1/2	24	159	7.5	24V ( 12V )
		UPVC胶接 UPVC Glue Type Connecting	Q934013C-40	196	φ50.5	31		
DN50三通 DN50 Threeway	PPO内螺纹 PPO Female Thread Type Connecting	Q914013C-50	212	G2	25	1825	7.5	24V
		UPVC胶接 UPVC Glue Type Connecting	Q934013C-50	237	φ63.2	38		

备注:塑料球阀阀体为PPH、PPO或"UPVC"材料,金属球阀阀体为316L不锈钢材质,采用浮动球直通结构;  
塑料阀体:工作温度0-60℃,工作压力0-1MPa, EPDM和FKM橡胶密封材质可选;  
金属阀体:工作温度0-120℃,作压力0-1.6MPa, EPDM和FKM橡胶密封材质可选,其中FKM橡胶密封材质工作温度0-200℃;  
三通球阀阀体为PPO材料,采用浮动球"L"形三通结构;  
Remark: Plastic manual ball valve, the valve body material is PPH, PPO or UPVC; Metal manual ball valve, the valve body material is 316L stainless steel; Ball valve adopt the floating ball straight passway structure.  
Plastic ball valve :Working temperature: 0-60℃;Working pressure:0-1MPa; Sealing rubber material: EPDM, FKM optional  
Metal ball valve :Working temperature: 0-120℃;Working pressure:0-1.6MPa; Sealing rubber material: EPDM, FKM optional (FKM working temperature can reach 0-200℃  
The three-way ball valve material is PPO, and it adopts the floating ball with L shape three-way structure.

## 三线控制球阀(AC) Three Wires Controlling Ball Valve (AC)

220V 三线控制-接线图  
220V Three wires control wiring diagram



- 1、SW与红线相连,阀门打开,到位后并保持;
  - 2、SW与绿线相连,阀门关闭,到位后并保持;
- 适用于AC220V阀门。  
1、SW and the red wire connected, electric ball valve open, after putting in place and keep the same position.  
2、SW and the green wire connected, electric ball valve close, after putting in place and keep the same position.  
Suitable for AC220V ball valve.



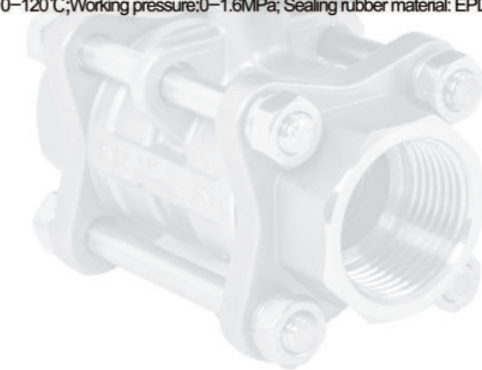


三线控制(AC220V)球阀系列 Three Wires Controlling Ball Valve (AC)									
公称通径DN Nominal	连接方式 Connecting Type	型号 New Model	尺寸 Size				启闭时间/秒 Open-close	输入电压 Input Voltage	
			A	B	C	H			
DN15	PPH内螺纹 PPH Female Thread Type Connecting	Q911715 C-15	111	G1/2	14	141	7.5	220V	
	UPVC胶接 UPVC Glue Type Connecting	Q931715 C-15	123	φ20.2	20	141			
	PPR热熔 PPR Hot Melting Connecting	Q951715 C-15	121	φ19.2	19	141			
	不锈钢内螺纹 SS Female Thread Type Connecting	Q911415 C-15	89	G1/2	18	129			
DN20	PPH内螺纹 PPH Female Thread Type Connecting	Q911715 C-20	119	G3/4	16	141	7.5	220V	
	UPVC胶接 UPVC Glue Type Connecting	Q931715 C-20	123	φ25.2	20	141			
	PPR热熔 PPR Hot Melting Connecting	Q951715 C-20	121	φ24	19	141			
	不锈钢内螺纹 SS Female Thread Type Connecting	Q911415 C-20	89	G3/4	18	129			
	不锈钢卡箍 SS Clamp Type Connecting	Q981415 C-20	102	φ43.5	φ50.5	129			
	不锈钢法兰 SS Flange Type Connecting	Q941415 C-20	150	4×φ14	φ75	158			
DN25	PPO内螺纹 PPO Female Thread Type Connecting	Q911015 C-25	138	G1	20	156	7.5	220V	
	UPVC胶接 UPVC Glue Type Connecting	Q931015 C-25	142	φ32.2	22	156			
	PPR热熔 PPR Hot Melting Connecting	Q951015 C-25	146	φ31	24	156			
	不锈钢内螺纹 SS Female Thread Type Connecting	Q911415 C-25	99	G1	20	144			
	不锈钢卡箍 SS Clamp Type Connecting	Q981415 C-25	116	φ43.5	φ50.5	144			
	不锈钢法兰 SS Flange Type Connecting	Q941415 C-25	160	4×φ14	φ85	173			
DN32	PPO内螺纹 PPO Female Thread Type Connecting	Q911015 E-32	167	G1 1/4	22	200	12	220V	
	UPVC胶接 UPVC Glue Type Connecting	Q931015 E-32	174	φ40.2	26	200			
	不锈钢内螺纹 SS Female Thread Type Connecting	Q911415 E-32	120	G1 1/4	22	187			
	不锈钢卡箍 SS Clamp Type Connecting	Q981415 E-32	136	φ43.5	φ50.5	187			
	不锈钢法兰 SS Flange Type Connecting	Q941415 E-32	180	4×φ18	φ100	221			
DN40	PPO内螺纹 PPO Female Thread Type Connecting	Q911015 E-40	182	G1 1/2	24	214	12	220V	
	UPVC胶接 UPVC Glue Type Connecting	Q931015 E-40	196	φ50.2	31	214			
	不锈钢内螺纹 SS Female Thread Type Connecting	Q911415 E-40	128	G1 1/2	23	197			
	不锈钢卡箍 SS Clamp Type Connecting	Q981415 E-40	160	φ56.5	φ64	197			
	不锈钢法兰 SS Flange Type Connecting	Q941415 E-40	200	4×φ18	φ110	231			

三线控制(AC220V)球阀系列 Three Wires Controlling Ball Valve (AC)									
公称通径DN Nominal	连接方式 Connecting Type	型号 New Model	尺寸 Size				启闭时间/秒 Open-close	输入电压 Input Voltage	
			A	B	C	H			
DN50	PPO内螺纹 PPO Female Thread Type Connecting	Q911015 E-50	212	G2	25	262	15	220V	
	UPVC胶接 UPVC Glue Type Connecting	Q931015 E-50	237	φ63.2	38	262			
	不锈钢内螺纹 SS Female Thread Type Connecting	Q911415 E-50	155	G2	26	243			
	不锈钢卡箍 SS Clamp Type Connecting	Q981415 E-50	190	φ70.5	φ77.5	243			
	不锈钢法兰 SS Flange Type Connecting	Q941415 E-50	230	4×φ18	φ125	279			
	UPVC胶接 UPVC Glue Type Connecting	Q931515 E-65	202	φ75.4	44	273.5			
DN65	法兰连接 Flange Type Connecting	Q941515 E-65	285	4×φ18	φ145	301	7.5	220V	
	不锈钢内螺纹 SS Female Thread Type Connecting	Q911415 E-65	196	G2 1/2	29	260			
	不锈钢法兰 SS Flange Type Connecting	Q941415 E-65	290	4×φ18	φ145	291			
	UPVC胶接 UPVC Glue Type Connecting	Q931515 E-80	232	φ90.5	51	303.5			
DN80	UPVC法兰 UPVC Flange Type Connecting	Q941515 E-80	310	8×φ18	φ160	321	7.5	220V	
	不锈钢内螺纹 SS Female Thread Type Connecting	Q911415 E-80	216	G3	32	275.5			
	不锈钢法兰 SS Flange Type Connecting	Q941415 E-80	310	8×φ18	φ160	305.5			
	不锈钢法兰 SS Flange Type Connecting	Q941415 E-100	305	8×φ18	φ180	378			
DN100	不锈钢法兰 SS Flange Type Connecting	Q941415 E-100	305	8×φ18	φ180	378	7.5	220V	
DN125	不锈钢法兰 SS Flange Type Connecting	Q941415 E-125	356	8×φ18	φ210	403			
DN150	不锈钢法兰 SS Flange Type Connecting	Q941415 E-150	394	8×φ22	φ240	482.5			
DN200	不锈钢法兰 SS Flange Type Connecting	Q941415 E-200	457	8×φ22	φ295	565			

备注:控制电压为220V, C代表三线控制  
 塑料球阀阀体为PPH、PPO或"UPVC"材料, 金属球阀阀体为316L不锈钢材质,采用浮动球直通结构;  
 塑料阀体: 工作温度0-60℃, 工作压力0-1MPa, EPDM和FKM橡胶密封材质可选;  
 金属阀体: 工作温度0-120℃,工作压力0-1.6MPa, EPDM和FKM橡胶密封材质可选, 其中FKM橡胶密封材质工作温度0-200℃。

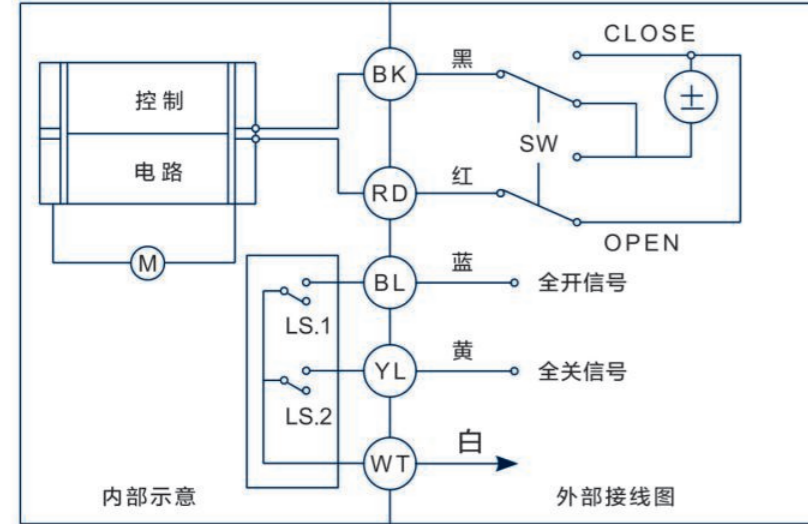
Remark: Input voltage is 220AC, C means three wires controlling ball valve;  
 Plastic manual ball valve, the valve body material is PPH, PPO or UPVC; Metal manual ball valve, the valve body material is 316L stainless steel;  
 Ball valve adopt the floating ball straight passway structure.  
 Plastic ball valve :Working temperature: 0-60℃;Working pressure:0-1MPa; Sealing rubber material: EPDM, FKM optional  
 Metal ball valve :Working temperature: 0-120℃;Working pressure:0-1.6MPa; Sealing rubber material: EPDM, FKM optional (FKM working temperature can reach 0-200℃)



# 二线带位置反馈球阀

## Two Wires Ball Valve with Position Feedback

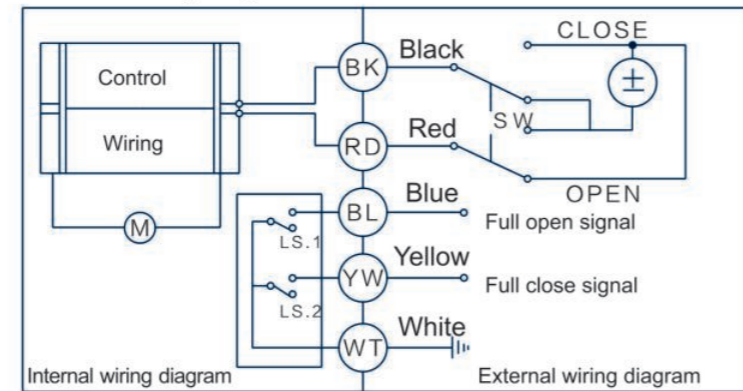
二线带位置反馈-接线图



接线为五芯线(直流电源):电源控制线为二芯线,反馈信号线为三芯线。  
 电源控制线接正向电压为开,并提供“开”信号;  
 电源控制线接反向电压为关,并提供“关”信号;  
 1、SW与OPEN短接,电动球阀打开,到位后并保持。同时LS.1接通并给出开到位置信号,即BL与WT相通;  
 2、SW与CLOSE短接,电动球阀关闭,到位后并保持。同时LS.2接通并给出关到位置信号,即YL与WT相通;  
 适用于DC24V球阀。



Two wires ball valve with position feedback control wiring diagram



1、SW and OPEN connected, electric ball valve open, after putting in place and keep the same position. At the same time the LS. 1 connected and send out the full open signal, which is BL and WT connected.  
 2、SW and CLOSE connected, electric ball valve close, after putting in place and keep the same position. At the same time the LS. 2 connected and send out the full close signal, which is YW and WT connected.  
 Suitable for DC24V ball valve.

备注:塑料球阀阀体为PPH、PPO或“UPVC”材料,金属球阀阀体为316L不锈钢材质,采用浮动球直通结构;

塑料阀体:工作温度0-60℃,工作压力0-1MPa,EPDM和FKM橡胶密封材质可选;

金属阀体:工作温度0-120℃,工作压力0-1.6MPa,EPDM和FKM橡胶密封材质可选,其中FKM橡胶密封材质工作温度0-200℃;

三通球阀阀体为PPO材料,采用浮动球“L”形三通结构;

Remark: Plastic manual ball valve, the valve body material is PPH,PPO or UPVC; Metal manual ball valve, the valve body material is 316L stainless steel;

Ball valve adopt the floating ball straight passway structure.

Plastic ball valve :Working temperature: 0-60℃;Working pressure:0-1MPa; Sealing rubber material: EPDM, FKM optional

Metal ball valve :Working temperature: 0-120℃;Working pressure:0-1.6MPa; Sealing rubber material: EPDM, FKM optional (FKM working temperature can reach 0-200℃)

The three-way ball valve material is PPO, and it adopts the floating ball with L shape three-way structure.

二线带位置反馈球阀 Two Wires Ball Valve with Position Feedback

公称通径DN Nominal Diameter	连接方式 Connecting Type	型号 New Model	尺寸 Size				启闭时间/秒 Open-close Time/s	输入电压 Input Voltage
			A	B	C	H/D(三通) H/D(Three-way)		
DN15	PPH内螺纹 PPH Female Thread Type Connecting	QQ911713D-15	111	G1/2	14	144	3	24V
	UPVC胶接 UPVC Glue Type Connecting	QQ931713D-15	123	φ20.2	20	144		
	PPR热熔 PPR Hot Melting Connecting	QQ951713D-15	121	φ19.2	19	144		
	不锈钢内螺纹 SS Female Thread Type Connecting	QQ911413D-15	89	G1/2	18	1325		
DN20	PPH内螺纹 PPH Female Thread Type Connecting	QQ911713D-20	119	G3/4	16	144		
	UPVC胶接 UPVC Glue Type Connecting	QQ931713D-20	123	φ25.2	20	144		
	PPR热熔 PPR Hot Melting Connecting	QQ951713D-20	121	φ24	19	144		
	不锈钢内螺纹 SS Female Thread Type Connecting	QQ911413D-20	89	G3/4	18	1325		
	不锈钢卡箍 SS Clamp Type Connecting	QQ981413D-20	102	φ43.5	φ50.5	1325		
	不锈钢法兰 SS Flange Type Connecting	QQ941413D-20	150	4×φ14	φ75	1615		
DN25	PPO内螺纹 PPO Female Thread Type Connecting	QQ911013D-25	138	G1	20	1595		
	UPVC胶接 UPVC Glue Type Connecting	QQ931013D-25	142	φ32.2	22	1595		
	PPR热熔 PPR Hot Melting Connecting	QQ951013D-25	146	φ31	24	1595		
	不锈钢内螺纹 SS Female Thread Type Connecting	QQ911413D-25	99	G1	20	147		
	不锈钢卡箍 SS Clamp Type Connecting	QQ981413D-25	116	φ43.5	φ50.5	147		
	不锈钢法兰 SS Flange Type Connecting	QQ941413D-25	160	4×φ14	φ85	1765		
DN32	PPO内螺纹 PPO Female Thread Type Connecting	Q911013D-32	167	G1 1/4	22	149	7.5	24V
	UPVC胶接 UPVC Glue Type Connecting	Q931013D-32	174	φ40.2	26	149		
	不锈钢内螺纹 SS Female Thread Type Connecting	Q911413D-32	120	G1 1/4	20	136		
	不锈钢卡箍 SS Clamp Type Connecting	Q981413D-32	136	φ43.5	φ50.5	136		
DN40	不锈钢法兰 SS Flange Type Connecting	Q941413D-32	180	4×φ18	φ100	170		
	PPO内螺纹 PPO Female Thread Type Connecting	Q911013D-40	182	G1 1/2	24	163	7.5	24V
	UPVC胶接 UPVC Glue Type Connecting	Q931013D-40	196	φ50.2	31	163		
不锈钢内螺纹 SS Female Thread Type Connecting	Q911413D-40	128	G1 1/2	23	146			
DN40	不锈钢卡箍 SS Clamp Type Connecting	Q981413D-40	160	φ56.5	φ64	146		

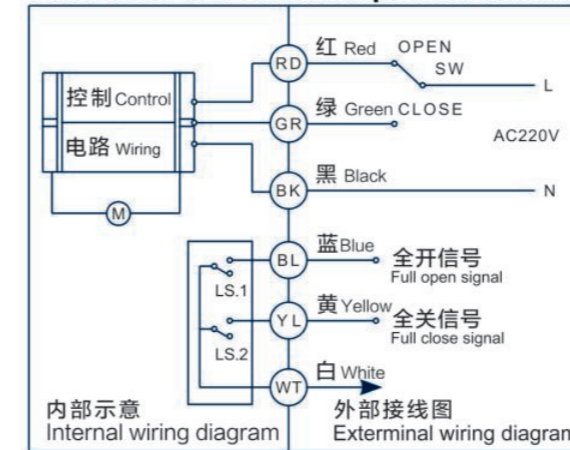
二线带位置反馈球阀 Two Wires Ball Valve with Position Feedback								
公称通径DN Nominal Diameter	连接方式 Connecting Type	型号 New Model	尺寸 Size				启闭时间/秒 Open-close Time/s	输入电压 Input Voltage
			A	B	C	H/D(三通) H/D(Three-way)		
DN40	不锈钢法兰 SS Flange Type Connecting	Q941413D-40	200	4×φ18	φ110	180		
DN50	PPO内螺纹 PPO Female Thread Type Connecting	Q911013D-50	212	G2	25	200	7.5	24V
	UPVC胶接 UPVC Glue Type Connecting	Q931013D-50	237	φ63.2	38	200		
	不锈钢内螺纹 SS Female Thread Type Connecting	Q911413D-50	155	G2	26	181		
	不锈钢卡箍 SS Clamp Type Connecting	Q981413D-50	190	φ70.5	φ77.5	181		
	不锈钢法兰 SS Flange Type Connecting	Q941413D-50	230	4×φ18	φ125	217		
DN65	UPVC胶接 UPVC Glue Type Connecting	Q931513D-65	202	φ75.4	44	273.5	15	24V
	UPVC法兰 UPVC Flange Type Connecting	Q941513D-65	285	4×φ18	φ145	301		
	不锈钢内螺纹 SS Female Thread Type Connecting	Q911413D-65	196	G2 1/2	29	260		
	不锈钢法兰 SS Flange Type Connecting	Q941413D-65	290	4×φ18	φ145	291		
DN80	UPVC胶接 UPVC Glue Type Connecting	Q931513D-80	232	φ90.5	51	303.5	15	24V
	UPVC法兰 UPVC Flange Type Connecting	Q941513D-80	305	8×φ18	φ160	321		
	不锈钢内螺纹 SS Female Thread Type Connecting	Q911413D-80	216	G3	32	275.5		
	不锈钢法兰 SS Flange Type Connecting	Q941413D-80	310	8×φ18	φ160	305.5		
DN25三通 DN25 Three-way	PPO内螺纹 PPO Female Thread Type Connecting	Q914013D-25	172	G1	22	149	7.5	24V
	UPVC胶接 UPVC Glue Type Connecting	Q934013D-25	174	φ32.2	26	149		
DN32三通 DN32 Three-way	PPO内螺纹 PPO Female Thread Type Connecting	Q914013D-32	166	G1 1/4	22	149	7.5	24V
	UPVC胶接 UPVC Glue Type Connecting	Q934013D-32	174	φ40.2	26	149		
DN40三通 DN40 Three-way	PPO内螺纹 PPO Female Thread Type Connecting	Q914013D-40	182	G1 1/2	24	163	7.5	24V
	UPVC胶接 UPVC Glue Type Connecting	Q934013D-40	196	φ50.2	31	163		
DN50三通 DN50 Three-way	PPO内螺纹 PPO Female Thread Type Connecting	Q914013D-50	212	G2	25	200	7.5	24V
	UPVC胶接 UPVC Glue Type Connecting	Q934013D-50	237	φ63.2	38	200		
DN65三通 DN65 Three-way	UPVC胶接 UPVC Glue Type Connecting	Q934513D-65	283	φ75.4	43	237.5	15	24V
	UPVC胶接 UPVC Glue Type Connecting	Q934513D-80	330.5	φ90.5	51	271		

## 三线带位置反馈

### Three Wires Ball Valve with Position Feedback

三线带位置反馈-接线图

Three wires ball valve with position feedback control wiring diagram



- 1、SW与红线相连，阀门打开，到位后并保持。同时LS.1接通并给出开到位置信号，即蓝线与白线相通；
- 2、SW与绿线相连，阀门关闭，到位后并保持。同时LS.2接通并给出关到位置信号，即黄线与白线相通；
- 3、适用于AC220V阀门。

- 1、SW and the red wire connected, electric ball valve open, after putting in place and keep the same position. At the same time the LS.1 connected and send out the full open signal, which is BL and WT connected.
- 2、SW and the green wire connected, electric ball valve close, after putting in place and keep the same position. At the same time the LS.2 connected and send out the full close signal, which is YL and WT connected.
- 3、Suitable for AC220V ball valve.

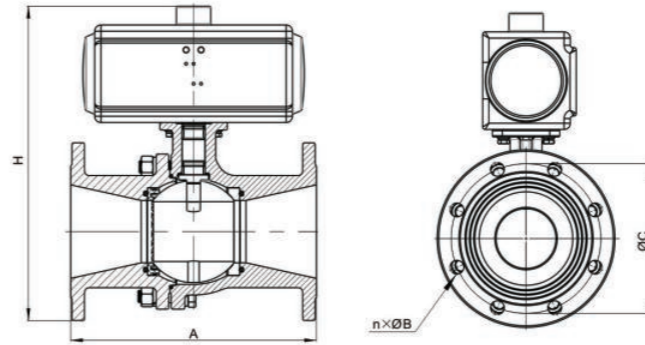
带位置反馈球阀(AC) Ball Valve with Position Feedback(AC)								
公称通径DN Nominal Diameter	连接方式 Connecting Type	型号 New Model	尺寸 Size				启闭时间/秒 Open-close Time/s	输入电压 Input Voltage
			A	B	C	H/D(三通) H/D(Three-way)		
DN15	PPH内螺纹 PPH Female Thread Type Connecting	QQ911715E-15	111	G1/2	14	144	220V	
	UPVC胶接 UPVC Glue Type Connecting	QQ931715E-15	123	φ20.2	20	144		
	PPR热熔 PPR Hot Melting Connecting	QQ951715E-15	121	φ19.2	19	144		
	不锈钢内螺纹 SS Female Thread Type Connecting	QQ911415E-15	89	G1/2	18	132.5		
DN20	PPH内螺纹 PPH Female Thread Type Connecting	QQ911715E-20	119	G3/4	16	144	220V	
	UPVC胶接 UPVC Glue Type Connecting	QQ931715E-20	123	φ25.2	20	144		
	PPR热熔 PPR Hot Melting Connecting	QQ951715E-20	121	φ24	19	144		
	不锈钢内螺纹 SS Female Thread Type Connecting	QQ911415E-20	89	G3/4	18	132.5		
	不锈钢卡箍 SS Clamp Type Connecting	QQ981415E-20	102	φ43.5	φ50.5	132.5		
	不锈钢法兰 SS Flange Type Connecting	QQ941415E-20	150	4×φ14	φ75	161.5		
DN25	PPO内螺纹 PPO Female Thread Type Connecting	QQ911015E-25	138	G1	20	159.5	220V	
	UPVC胶接 UPVC Glue Type Connecting	QQ931015E-25	142	φ32.2	22	159.5		
	PPR热熔 PPR Hot Melting Connecting	QQ951015E-25	146	φ31	24	159.5		

带位置反馈球阀(AC)Ball Valve with Position Feedback(AC)								
公称通径DN Nominal Diameter	连接方式 Connecting Type	型号 New Model	尺寸 Size				启闭时间/秒 Open-close Time/s	输入电压 Input Voltage
			A	B	C	H/D(三通) H/D(Three-way)		
DN25	不锈钢内螺纹 SS Female Thread Type Connecting	QQ911415E-25	99	G1	20	147	12	220V
	不锈钢卡箍 SS Clamp Type Connecting	QQ981415E-25	116	φ43.5	φ50.5	147		
	不锈钢法兰 SS Flange Type Connecting	QQ941415E-25	160	4×φ14	φ85	176.5		
DN32	PPO内螺纹 PPO Female Thread Type Connecting	Q911015E-32	167	G1 1/4	22	200	12	220V
	UPVC胶接 UPVC Glue Type Connecting	Q931015E-32	174	φ40.2	26	200		
	不锈钢内螺纹 SS Female Thread Type Connecting	Q911415E-32	120	G1 1/4	20	187		
	不锈钢卡箍 SS Clamp Type Connecting	Q981415E-32	136	φ43.5	φ50.5	187		
DN40	不锈钢法兰 SS Flange Type Connecting	Q941415E-32	180	4×φ18	φ100	221	12	220V
	PPO内螺纹 PPO Female Thread Type Connecting	Q911015E-40	182	G1 1/2	24	214		
	UPVC胶接 UPVC Glue Type Connecting	Q931015E-40	196	φ50.2	31	214		
DN40	不锈钢内螺纹 SS Female Thread Type Connecting	Q911415E-40	128	G1 1/2	23	197	12	220V
	不锈钢卡箍 SS Clamp Type Connecting	Q981415E-40	160	φ56.5	φ64	197		
DN40	不锈钢法兰 SS Flange Type Connecting	Q941415E-40	200	4×φ18	φ110	231	12	220V
	UPVC胶接 UPVC Glue Type Connecting	Q931015E-50	237	φ63.2	38	262		
DN50	PPO内螺纹 PPO Female Thread Type Connecting	Q911015E-50	212	G2	25	262	15	220V
	UPVC胶接 UPVC Glue Type Connecting	Q931015E-50	237	φ63.2	38	262		
	不锈钢内螺纹 SS Female Thread Type Connecting	Q911415E-50	155	G2	26	243		
	不锈钢卡箍 SS Clamp Type Connecting	Q981415E-50	190	φ70.5	φ77.5	243		
DN65	不锈钢法兰 SS Flange Type Connecting	Q941415E-50	230	4×φ18	φ125	279	7	220V
	UPVC胶接 UPVC Glue Type Connecting	Q931515E-65	202	φ75.4	44	273.5		
	UPVC法兰连接 UPVC Flange Type Connecting	Q941515E-65	285	4×φ18	φ145	301		
	不锈钢内螺纹 SS Female Thread Type Connecting	Q911415E-65	196	G2 1/2	29	260		
DN80	不锈钢法兰 SS Flange Type Connecting	Q941415E-65	290	4×φ18	φ145	291	7.5	220V
	UPVC胶接 UPVC Glue Type Connecting	Q931515E-80	232	φ90.5	51	303.5		
	UPVC法兰连接 UPVC Flange Type Connecting	Q941515E-80	310	8×φ18	φ160	321		
DN80	UPVC胶接 UPVC Glue Type Connecting	Q931515E-80	232	φ90.5	51	303.5	7.5	220V
	UPVC法兰连接 UPVC Flange Type Connecting	Q941515E-80	310	8×φ18	φ160	321		

带位置反馈球阀(AC)Ball Valve with Position Feedback(AC)									
公称通径DN Nominal Diameter	连接方式 Connecting Type	型号 New Model	尺寸 Size				启闭时间/秒 Open-close Time/s	输入电压 Input Voltage	
			A	B	C	H/D(三通) H/D(Three-way)			
DN80	UPVC法兰连接 UPVC Flange Type Connecting	Q941515E-80	310	8×φ18	φ160	321	7-5	220V	
	不锈钢内螺纹 SS Female Thread Type Connecting	Q911415E-80	216	G3	32	275.5			
	不锈钢法兰 SS Flange Type Connecting	Q941415E-80	310	8×φ18	φ160	305.5			
DN100	不锈钢法兰 SS Flange Type Connecting	Q941415E-100	305	8×φ18	φ180	403	12	220V	
DN25三通 DN25 Three-way	PPO内螺纹 PPO Female Thread Type Connecting	Q914015E-25	172	G1	22	200			
	UPVC胶接 UPVC Glue Type Connecting	Q934015E-25	174	φ32.2	26	200			
DN32三通 DN32 Three-way	PPO内螺纹 PPO Female Thread Type Connecting	Q914015E-32	166	G1 1/4	22	200			
	UPVC胶接 UPVC Glue Type Connecting	Q934015E-32	174	φ40.2	26	200			
DN40三通 DN40 Three-way	PPO内螺纹 PPO Female Thread Type Connecting	Q914015E-40	182	G1 1/2	24	214	12	220V	
	UPVC胶接 UPVC Glue Type Connecting	Q934015E-40	196	φ50.2	31	214			
DN50三通 DN50 Three-way	PPO内螺纹 PPO Female Thread Type Connecting	Q914015E-50	212	G2	25	262	15	220V	
	UPVC胶接 UPVC Glue Type Connecting	Q934015E-50	237	φ63.2	38	262			
DN65三通 DN65 Three-way	UPVC胶接 UPVC Glue Type Connecting	Q934515E-65	283	φ75.4	43	237.5	15	220V	
DN80三通 DN80 Three-way	UPVC胶接 UPVC Glue Type Connecting	Q934515E-80	330.5	φ90.5	51	271	15		

备注:塑料球阀阀体为PPH、PPO或"UPVC"材料,金属球阀阀体为316L不锈钢材质,采用浮动球直通结构;  
 塑料阀体:工作温度0-60℃,工作压力0-1MPa,EPDM和FKM橡胶密封材质可选;  
 金属阀体:工作温度0-120℃,工作压力0-1.6MPa,EPDM和FKM橡胶密封材质可选,其中FKM橡胶密封材质工作温度0-200℃;  
 三通球阀阀体为PPO材料,采用浮动球"L"形三通结构;  
 Remark: Plastic manual ball valve, the valve body material is PPH, PPO or UPVC; Metal manual ball valve, the valve body material is 316L stainless steel;  
 Ball valve adopt the floating ball straight passway structure.  
 Plastic ball valve :Working temperature: 0-60℃;Working pressure:0-1MPa; Sealing rubber material: EPDM, FKM optional  
 Metal ball valve :Working temperature: 0-120℃;Working pressure:0-1.6MPa; Sealing rubber material: EPDM, FKM optional (FKM working temperature can reach 0-200℃  
 The three-way ball valve material is PPO, and it adopts the floating ball with L shape three-way structure.

## 气动陶瓷硬密封球阀 Pneumatic Ball Valve with Metal Valve Body



备注: 阀体材料为316L,工作温度0-120℃,工作压力0-1.6MPa,EPDM和FKM橡胶密封材质可选,其中FKM橡胶密封材质工作温度0-200℃;  
 通过压缩空气驱动球阀的启闭,启闭速度快;可配调速器来调节启闭速度。  
 Remark: Valve body material is 316L, working temperature: 0-120℃;Working pressure:0-1.6MPa;Sealing rubber material: EPDM, FKM optional  
 (FKM working temperature can reach 0-200℃)  
 Can control ball valve open and close by compresses air, rapid opening;  
 Can match the speed controller to adjust opening and closing speed.

气动陶瓷芯金属球阀 Pneumatic Ball Valve with Metal Valve Body							
公称通径DN Nominal Diameter	连接方式 Connecting Type	型号 New Model	尺寸 Size				启闭时间/秒 Open-close Time(s)
			A	B	C	H	
DN15	不锈钢内螺纹 SS Female Thread Type Connecting	Q61141-15	89	G1/2	18	112	1-2
DN 20	不锈钢内螺纹 SS Female Thread Type Connecting	Q61141-20	89	G3/4	18	112	
	不锈钢卡箍 SS Clamp Type Connecting	Q68141-20	102	φ43.5	φ50.5	112	
	不锈钢法兰 SS Flange Type Connecting	Q64141-20	150	4×φ14	75	112	
DN 25	不锈钢内螺纹 SS Female Thread Type Connecting	Q61141-25	99	G1	20	122	
	不锈钢卡箍 SS Clamp Type Connecting	Q68141-25	116	φ43.5	φ50.5	122	
	不锈钢法兰 SS Flange Type Connecting	Q64141-25	160	4×φ14	φ85	122	
DN 32	不锈钢内螺纹 SS Female Thread Type Connecting	Q61141-32	120	G1 1/4	20	147	
	不锈钢卡箍 SS Clamp Type Connecting	Q68141-32	136	φ43.5	φ50.5	147	
	不锈钢法兰 SS Flange Type Connecting	Q64141-32	180	4×φ18	φ100	147	
DN 40	不锈钢内螺纹 SS Female Thread Type Connecting	Q61141-40	128	G1 1/2	23	168	
	不锈钢卡箍 SS Clamp Type Connecting	Q68141-40	160	φ56.5	φ64	168	
	不锈钢法兰 SS Flange Type Connecting	Q64141-40	200	4×φ18	φ110	168	
DN 50	不锈钢内螺纹 SS Female Thread Type Connecting	Q61141-50	155	G2	26	202	
	不锈钢卡箍 SS Clamp Type Connecting	Q68141-50	190	φ70.5	φ77.5	202	
	不锈钢法兰 SS Flange Type Connecting	Q64141-50	230	4×φ18	φ125	202	
DN 65	不锈钢内螺纹 SS Female Thread Type Connecting	Q61141-65	196	G2 1/2	29	248	
	不锈钢法兰 SS Flange Type Connecting	Q64141-65	290	4×φ18	φ145	248	
DN 80	不锈钢内螺纹 SS Female Thread Type Connecting	Q61141-80	216	G3	32	278	
	不锈钢法兰 SS Flange Type Connecting	Q64141-80	310	8×φ18	φ160	278	
DN 100	不锈钢法兰 SS Flange Type Connecting	Q64141-100	305	8×φ18	φ180	400.5	

## 陶瓷硬密封脉冲电动球阀

Ceramic hard sealing pulse electronic ball valve

- 收到正向脉冲信号，球阀打开；收到反向脉冲信号，球阀关闭
- 待机电流：≤10 μA
- 不充电情形可运行1-3年
- 结合物联网4G控制器，可LORA无线组网，远距离无线通讯，可通过PC/手机APP远程监控，可自编程实现各组阀门顺序启闭

- The ball valve will be opened when receiving the positive pulse signal and will be closed when receiving the negative pulse signal
- Power consumption in standby mode: ≤10 μA
- It can run for 1-3 years without charging
- Combined with the 4G controller of the IoT to realize long-distance wireless communication through LORA wireless networking, it can be remotely monitored by PC / mobile APP and can be programmed to realize the sequential opening and closing of each valve



DN15-DN80



## 陶瓷硬密封脉冲先导气/液动球阀

Ceramic hard sealing pulse pilot pneumatic/hydraulic ball valve

- 由脉冲电动换向阀的切换向控制液压执行器来驱动球阀的开关
- 收到正向脉冲信号，电动换向阀改变液压执行器活塞两侧进液方向驱动开启球阀
- 收到反向脉冲信号，电动换向阀改变液压执行器活塞两侧进液方向驱动关闭球阀
- 待机电流：≤10 μA
- 脉冲电动换向阀启闭功耗：0.0014W H/次
- 结合物联网4G控制器，可LORA无线组网，远距离无线通讯，可通过PC/手机APP远程监控，可自编程实现各组阀门顺序启闭

- Reversing the pulse electronic reversing valve to control the hydraulic actuator to drive the ball valve switch
- After receiving the positive pulse signal, the electronic reversing valve changes the inlet and outlet directions of both sides of the hydraulic actuator to drive the ball valve to open
- After receiving the negative pulse signal, the electronic reversing valve changes the inlet and outlet directions of both sides of the hydraulic actuator to drive the ball valve to close
- Power consumption in standby mode: ≤10 μA
- Power consumption for opening and closing of pulse electronic reversing valve: 0.0014W·H/ time
- Combined with the 4G controller of the IoT to realize long-distance wireless communication through LORA wireless networking, it can be remotely monitored by PC/ mobile APP and can be programmed to realize the sequential opening and closing of each valve



DN15-DN150

## 过滤&软化/混床球阀控制器

Ball Valve Controller for Filter & Softener and Mixed Bed Water Treatment Systems



型号: 46030(F109)  
Model 46040(F109B)

过滤控制系统  
Filter control system

软化控制系统  
Softener control system

混床控制系统  
Mixed bed control system

产品特点 Product Characteristics

- ◎可与本公司DN20~DN80的电动球阀配套使用;
- ◎配套用的陶瓷芯电动球阀, 流阻小、耐腐蚀、抗水垢抗杂质、耐用;
- ◎LCD显示界面。

- ◎It can be used together with Runxin electronic ball valve from DN20 to DN80.
- ◎The matched ceramic ball valve has the advantage of small flow resistance, good corrosion resistance, good wear resistance and long lifetime.
- ◎LCD display.

应用范围 Range of Application

球阀控制器用于配套本公司二线控制电动陶瓷芯球阀构成过滤或软化或混床除盐水处理系统。

Ball valve controller is matched with Runxin two wires electronic ball valve to be filter & softener or mixed bed demineralized water treatment systems

型号 Model	电源适配器输入 Transformer Input	电源适配器输出 Transformer Output	环境温度 (°C) Environment Temperature(°C)	用途 Application
46030(F109)	AC100-240V 50-60Hz	DC24V,1.5A	5-50°C	过滤&软化 Filter & Softener
46040(F109B)				混床 Mixed Bed

系统配置 System Configuration

1、过滤系统配置参考表 Filter System Configuration Table

RXF-65 0.1MPa压差流量80m³/h RXF-65 0.1MPa Pressure Drop Flow Rate 80m³/h		
配置 Configuration	型号 Model	数量 Quantity
球阀控制器 Ball Valve Controller	F109	1
DN65球阀 DN65 Ball Valve	Q931513-65	5
主管路配管 Main Pipeline	建议采用DN80以上 Suggest to use size bigger than DN80	

RXF-80 0.1MPa压差流量150m³/h RXF-80 0.1MPa Pressure Drop Flow Rate 150m³/h		
配置 Configuration	型号 Model	数量 Quantity
球阀控制器 Ball Valve Controller	F109	1
DN80球阀 DN80 Ball Valve	Q931513-80	5
主管路配管 Main Pipeline	建议采用DN100以上 Suggest to use size bigger than DN100	

2、软化系统配置参考表 Softener System Configuration Table

RXS-65 0.1MPa压差流量80m³/h RXS-65 0.1MPa Pressure Drop Flow Rate 80m³/h		
配置 Configuration	型号 Model	数量 Quantity
球阀控制器 Ball Valve Controller	F109	1
DN65球阀 DN65 Ball Valve	Q931513-65	5
DN32球阀 DN32 Ball Valve	Q931012-32	2
主管路配管 Main Pipeline	建议采用DN80以上 Suggest to use size bigger than DN80	

RXS-80 0.1MPa压差流量150m³/h RXS-80 0.1MPa Pressure Drop Flow Rate 150m³/h		
配置 Configuration	型号 Model	数量 Quantity
球阀控制器 Ball Valve Controller	F109	1
DN80球阀 DN80 Ball Valve	Q931513-80	5
DN40球阀 DN40 Ball Valve	Q931012-40	2
主管路配管 Main Pipeline	建议采用DN100以上 Suggest to use size bigger than DN100	

3、混床系统配置参考表 Mixed Bed System Configuration Table

RXH-10 0.1MPa压差流量10m³/h RXH-10 0.1MPa Pressure Drop Flow Rate 10m³/h		
配置 Configuration	型号 Model	数量 Quantity
球阀控制器 Ball Valve Controller	F109B	1
DN25球阀 DN25 Ball Valve	QQ931012-25	5
DN20球阀 DN20 Ball Valve	QQ931012-20	8
电阻率仪 Resistivity Meter	2976073	1
射流器 Injector		2
主管路配管 Main Pipeline	建议采用DN32以上 Suggest to use size bigger than DN32	

RXH-20 0.1MPa压差流量20m³/h RXH-20 0.1MPa Pressure Drop Flow Rate 20m³/h		
配置 Configuration	型号 Model	数量 Quantity
球阀控制器 Ball Valve Controller	F109B	1
DN32球阀 DN32 Ball Valve	Q931012-32	5
DN25球阀 DN25 Ball Valve	QQ931012-25	8
电阻率仪 Resistivity Meter	2976073	1
射流器 Injector		2
主管路配管 Main Pipeline	建议采用DN40以上 Suggest to use size bigger than DN40	

RXH-30 0.1MPa压差流量30m³/h RXH-30 0.1MPa Pressure Drop Flow Rate 30m³/h		
配置 Configuration	型号 Model	数量 Quantity
球阀控制器 Ball Valve Controller	F109B	1
DN40球阀 DN40 Ball Valve	Q931012-40	5
DN32球阀 DN32 Ball Valve	Q931012-32	8
电阻率仪 Resistivity Meter	2976073	1
射流器 Injector		2
主管路配管 Main Pipeline	建议采用DN50以上 Suggest to use size bigger than DN50	

RXH-45 0.1MPa压差流量45m³/h RXH-45 0.1MPa Pressure Drop Flow Rate 45m³/h		
配置 Configuration	型号 Model	数量 Quantity
球阀控制器 Ball Valve Controller	F109B	1
DN50球阀 DN50 Ball Valve	Q931012-50	5
DN32球阀 DN32 Ball Valve	Q931012-32	8
电阻率仪 Resistivity Meter	2976073	1
射流器 Injector		2
主管路配管 Main Pipeline	建议采用DN65以上 Suggest to use size bigger than DN65	

润新陶瓷芯球阀常用几种与介质接触材料的适配配置表

Configuration table of Runxin ceramic ball valve wetted part material and media

配置类别 Configuration type	阀体 Valve body materia	密封圈 Sealing ring material	阀杆 Valve shaft material	阀座 Valve core seat	适用介质 Suited media
标配A Standard A	PPO	EPDM	316L	单陶瓷片 Single ceramic seat	适用于不含固体颗粒的非腐蚀性介质和酸碱类、盐类、醇类、海水等化学物质。不适用于氧化性酸、强碱、氢氟酸、氟硅酸、盐酸、硫酸铁、硫酸铵、盐酸盐、溴、次氯酸盐、芳香烃、氯化烃、有机酸、酮类、汽油、合成润滑油等。 Be suited in application with non-corrosive media without solid particles and chemicals such as acids and alkalines, salt, alcohols, seawater, etc. Be NOT suited in application with oxidizing acid, strong alkaline, hydrofluoric acid, fluosilicic acid, hydrochloric acid, ferric sulfate, ammonium sulfate, hydrochloride, bromine, hypochlorite, aromatic hydrocarbon, chlorinated hydrocarbon, organic acid, ketone, petrol, synthetic lubricating oil, etc.
标配B Standard B	UPVC				适用于不含固体颗粒的非腐蚀性介质和酸碱类、盐类、醇类、极性溶剂等化学物质。不适用于氧化性酸、强碱、氢氟酸、氟硅酸、盐酸、硫酸铁、硫酸铵、盐酸盐、溴、次氯酸盐、有机酸、汽油、合成润滑油等。 Be suited in application with non-corrosive media without solid particles and chemicals such as acids or alkalines, salt, alcohols, polar solvents, etc. Be NOT suited in application with oxidizing acid, strong alkaline, hydrofluoric acid, fluosilicic acid, hydrochloric acid, ferric sulfate, ammonium sulfate, hydrochloride, bromine, hypochlorite, organic acid, petrol, synthetic lubricating oil, etc.
标配C Standard C	316L				适用于非腐蚀性介质和酸碱类、盐类、醇类、海水等化学物质。不适用于除硝酸外的氧化性酸、强碱、氢氟酸、氟硅酸、盐酸、硫酸铁、硫酸铵、盐酸盐、溴、次氯酸盐、有机酸、汽油、合成润滑油等。 Be suited in application with non-corrosive media and chemicals such as acids and alkalines, salt, alcohols, seawater, etc. Be NOT suited in application with oxidizing acid (except nitric acid), strong alkaline, hydrofluoric acid, fluosilicic acid, hydrochloric acid, ferric sulfate, ammonium sulfate, hydrochloride, bromine, hypochlorite, organic acid, petrol, synthetic lubricating oil, etc.
非标配置A Non-standard A	PPO	EPDM	316L	双陶瓷片 Double ceramic seats	适用于非腐蚀性介质和酸碱类、盐类、醇类、海水等化学物质。不适用于除硝酸外的氧化性酸、强碱、氢氟酸、氟硅酸、盐酸、硫酸铁、硫酸铵、盐酸盐、溴、次氯酸盐、有机酸、汽油、合成润滑油等。 Be suited in application with non-corrosive media and chemicals such as acids and alkalines, salt, alcohols, seawater, etc. Be NOT suited in application with oxidizing acid (except nitric acid), strong alkaline, hydrofluoric acid, fluosilicic acid, hydrochloric acid, ferric sulfate, ammonium sulfate, hydrochloride, bromine, hypochlorite, organic acid, ketone, petrol, synthetic lubricating oil, etc.
非标配置B Non-standard B	UPVC	EPDM	316L	双陶瓷片 Double ceramic seats	适用于非腐蚀性介质和酸碱类、盐类、醇类、极性溶剂等化学物质。不适用于除硝酸外的氧化性酸、强碱、氢氟酸、氟硅酸、盐酸、硫酸铁、硫酸铵、盐酸盐、溴、次氯酸盐、有机酸、汽油、合成润滑油等。 Be suited in application with non-corrosive media and chemicals such as acids or alkalines, salt, alcohols, polar solvents, etc. Be NOT suited in application with oxidizing acid (except nitric acid), strong alkaline, hydrofluoric acid, fluosilicic acid, hydrochloric acid, ferric sulfate, ammonium sulfate, hydrochloride, bromine, hypochlorite, organic acid, petrol, synthetic lubricating oil, etc.
非标配置C Non-standard C	316L	EPDM	316L	双陶瓷片 Double ceramic seats	适用于非腐蚀性介质和酸碱类、盐类、醇类、极性溶剂等化学物质。不适用于除硝酸外的氧化性酸、强碱、氢氟酸、氟硅酸、盐酸、硫酸铁、硫酸铵、盐酸盐、溴、次氯酸盐、有机酸、汽油、合成润滑油等。 Be suited in application with non-corrosive media and chemicals such as acids or alkalines, salt, alcohols, polar solvents, etc. Be NOT suited in application with oxidizing acid (except nitric acid), strong alkaline, hydrofluoric acid, fluosilicic acid, hydrochloric acid, ferric sulfate, ammonium sulfate, hydrochloride, bromine, hypochlorite, organic acid, petrol, synthetic lubricating oil, etc.
非标配置D Non-standard D	PPO UPVC 316L	EPDM	316L	双陶瓷片 Double ceramic seats	仅建议适用于非腐蚀性介质和有机酸。 Suggest only be suited in application with non-corrosive media and organic acid.
非标配置E Non-standard E	PPO UPVC	FKM	哈C合金 Hastelloy C alloy	双陶瓷片 Double ceramic seats	仅建议适用于除硫酸、硝酸外的氧化性酸、过氧化氢和含铝盐、铁盐在内的大部分硫酸盐、盐酸盐、氧化性酸盐。 Suggest only be suited in application with oxidizing acid (except sulfuric acid and nitric acid), hydrogen peroxide, and most of the sulfates, hydrochloride, and oxidized salt of aluminum salt and ferric salt.
非标配置F Non-standard F	PPO UPVC	FKM	哈B合金/ 20号合金 Hastelloy C alloy/ No. 20 alloy	双陶瓷片 Double ceramic seats	仅建议适用于各种浓度硫酸、盐酸和除铝盐、铁盐之外的大部分硫酸盐、盐酸盐。 Suggest only be suited in application with various concentrations of sulfuric acid, hydrochloric acid and most of the sulfates and hydrochlorides except aluminum salt and ferric salt.

注: 上述阀杆均可采用衬PPO不锈钢304阀杆代替  
Remark: The above ball valves' shaft could use Stainless Steel 304 covered by PPO.

## 碳化硅阀芯与常见介质接触材料的适配配置表

Configuration table of Silicon carbide valve core wetted part material and media

配置类别 Configuration type	阀体 Valve body material	密封圈 Sealing ring material	阀杆 Valve shaft material	阀座 Valve core seat	适用介质 Suited media
标配A Standard A	PPO	四丙氟 FEPM	衬PPO 不锈钢 304阀杆	双陶瓷片	适用于非腐蚀性介质、酸碱类、盐类、醇类。 Be suited in application with non-corrosive media, acids and alkalines, salt and alcohols. 不适用于芳香烃、氯化烃、油、酮、酯、醚、高锰酸盐。 Be NOT suited in application with aromatic hydrocarbon, chlorinated hydrocarbon, oil, ketone, ester, ether and permanganate.
标配B Standard B	UPVC	FEPM	Stainless Steel 304 covered by PPO	Double ceramic seats	适用于非腐蚀性介质、酸碱类、盐类、醇类、脂肪烃、油。 Be suited in application with non-corrosive media, acids and alkalines, salt, alcohols, aliphatic hydrocarbon and oil. 不适用于酮、酯、醚、芳香烃、高锰酸盐。 Be NOT suited in application with ketone, ester, ether, aromatic hydrocarbon and permanganate.
标配C Standard C	316L	EPDM	衬PPO 不锈钢 304阀杆 Stainless Steel 304 covered by PPO	双陶瓷片 Double ceramic seats	适用于非腐蚀性介质和酸碱类、盐类、醇类、极性溶剂等化学物质。不适用于氧化性酸、氢氟酸、氟硅酸、盐酸、硫酸铁、硫酸铵、盐酸盐、溴、次氯酸盐、有机酸、汽油、合成润滑油等。 Be suited in application with non-corrosive media and chemicals such as acids and alkalines, salt, alcohols, polar solvents, etc. Be NOT suited in application with oxidizing acid, hydrofluoric acid, fluorosilicic acid, hydrochloric acid, ferric sulfate, ammonium sulfate, hydrochloride, bromine, hypochlorite, organic acid, petrol, synthetic lubricating oil, etc.

注：1、目前DN15/20电动球阀衬PPO不锈钢304阀杆在试验阶段（开关寿命已达4万多次），衬PPO不锈钢304适用于工作温度低于80℃的介质，工作温度80~200℃的阀杆采用衬PFA不锈钢304阀杆。

2、今后可能主要采用衬PPO不锈钢304和衬PFA不锈钢304两种阀杆，DN15/20试验成功后，其他规格球阀开始做模具。

### Remark:

1. Currently, we are testing DN15/20 electronic ball valve shaft material with Stainless Steel 304 covered by PPO (opening and closing times have been more than 40 thousand times). The valve shaft material with Stainless Steel 304 covered by PPO is suited using in media working temperature lower than 80°C. If working temperature is 80~200°C, we suggest to use valve shaft material with Stainless Steel 304 covered by PFA.

2. We may use valve shaft material with Stainless Steel 304 covered by PPO or PFA in future. If the testing for DN15/20 is successful, we will make new moulds for other sizes of ball valves.

## 应用领域

### Range Of Application

广泛应用于水处理、能源、化工、食品等行业

Be used in water treatment system, Water meter IC Card, chemical industry, food industry and etc.

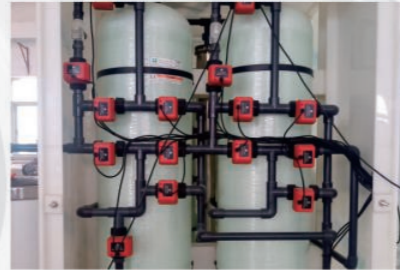
◎学校、浴场等卡式节水系统、预付费冷热水表场所。  
Water-saving system in school, bath center and prepayable water meter for cold and hot water situation.

◎工业自控、自动排污。  
Industrial automatic control system and automatic sewage system.

◎环保、给排水、食品工程、水处理工程。  
Project for environment protection, water supply and drainage, food and water treatment.



◎80 m³/h过滤设备  
80m³/h Filter device



◎电镀液重金属提取设备  
Heavy metal extraction equipment for electroplating solution



◎造纸厂75吨锅炉用水  
75 tons boiler water system in paper mill



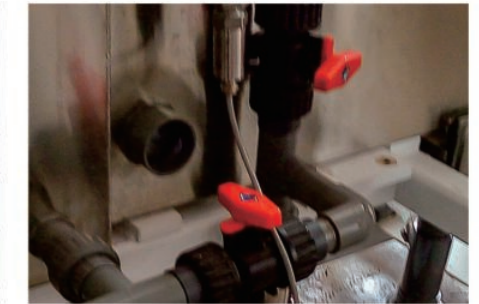
◎医疗用水设备  
Medical Water Equipment



◎有色金属冶炼  
Non-ferrous metal smelting



◎阴阳床设备  
Anion and cation system



◎硅片清洗设备  
Silicon wafer cleaning equipment



◎智能电镀过滤机  
Intelligent plating filter equipment



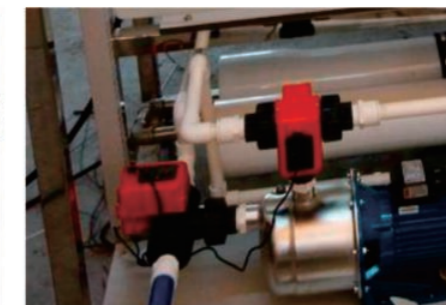
◎超纯水处理系统  
Ultrapure water treatment system



◎50 m³/h除铁锰设备  
50m³/h Iron and manganese removal device



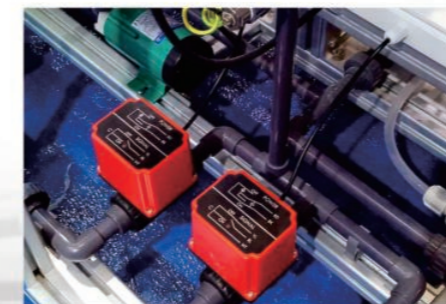
◎精密过滤器  
Precision filter



◎海水淡化设备  
Seawater desalination equipment



◎50吨除铁锰球阀  
50 tons iron and manganese removal device



◎次氯酸钠发生器系统  
Sodium hypochlorite generator system



◎反渗透设备  
Reverse osmosis equipment



◎医疗用水设备  
Medical water treatment equipment

# 润景陶瓷硬密封球阀在智能灌溉上的应用

## Application of Runjing Ceramic Hard Sealing Ball Valve in Intelligent Irrigation

### 农业灌溉 Agricultural Irrigation



温州市农业科学研究院  
Wenzhou Academy of Agricultural Science



温州市七都未来城市农业公园  
Wenzhou Qidu Future Urban Agricultural Park



温州三垟湿地瓯柑精品园  
Orange Garden in Wenzhou Sanyang Wetland



温州山福镇果园  
Orchardin Wenzhou Shanfu Town



温州藤桥蔬菜育苗基地  
Wenzhou Tengqiao Vegetable Seedling Base



温州市鹿城区七都研学中心  
Qidu Research Base of Wenzhou Lucheng District



温州瓯海丽香花木种植基地  
L'ao Flower and Tree Planting Base in Wenzhou Ouhai District



### 市政园林绿化浇灌 Municipal Greening Irrigation



温州市鹿城区府  
People's Government of Wenzhou Lucheng District



温州市马鞍池公园  
Wenzhou Maanchi Park



温州市绣山公园  
Wenzhou Xiushan Park



温州市马鞍池公园湖心小岛  
The Island in the Center of the Lake in the Wenzhou Maanchi Park



温州市九山公园  
Wenzhou Jiushan Park

### 庭院景观灌溉 Garden Landscape Irrigation



温州润新公司  
Wenzhou Runixin Company



丽水润莱公司  
Lishui Runlucky Company



永嘉某别墅  
Villain Yongjia County



家庭阳台  
Balcony